

2016.0 RANGE ROVER (LG), 501-05

INTERIOR TRIM AND ORNAMENTATION

REAR SCUFF PLATE TRIM PANEL - STANDARD WHEEL BASE (G1531974)

REMOVAL AND INSTALLATION

REMOVAL

NOTES:

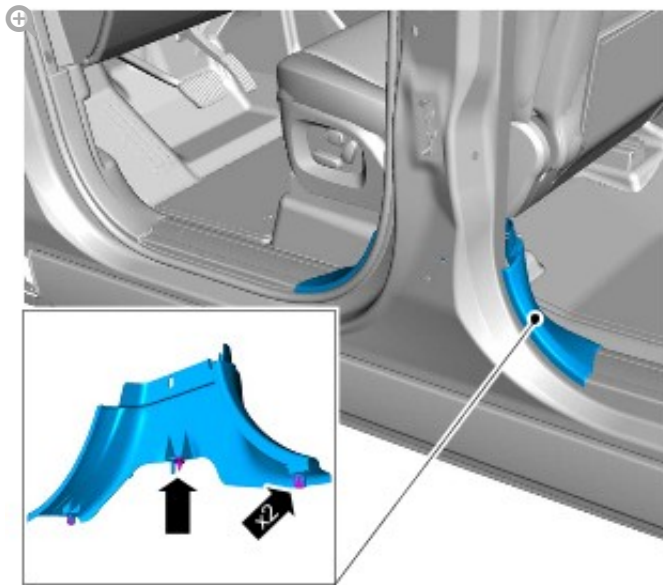
- Removal steps in this procedure may contain installation details.
- LH illustration shown, RH is similar.
- Take extra care not to damage the component.

1. Refer to: B-Pillar Trim Panel (501-05 Interior Trim and Ornamentation, Removal and Installation).

2.

NOTE:

Install new retaining clips.

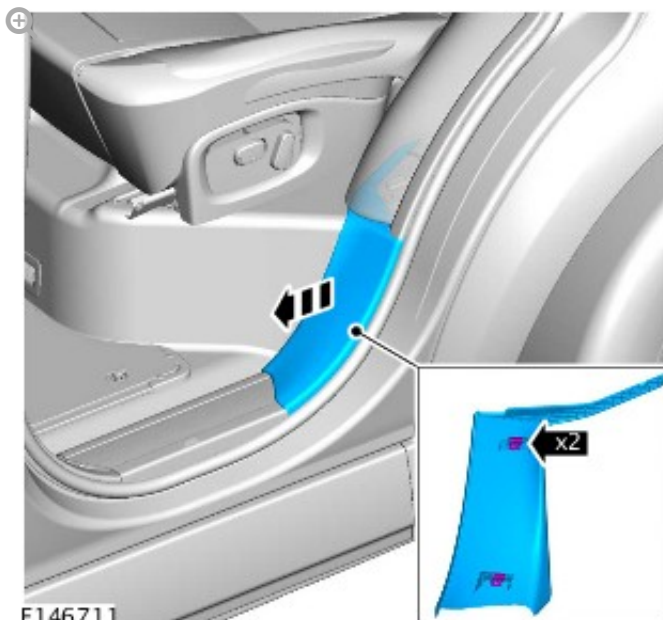


E146714

3.

NOTE:

Install new retaining clips.

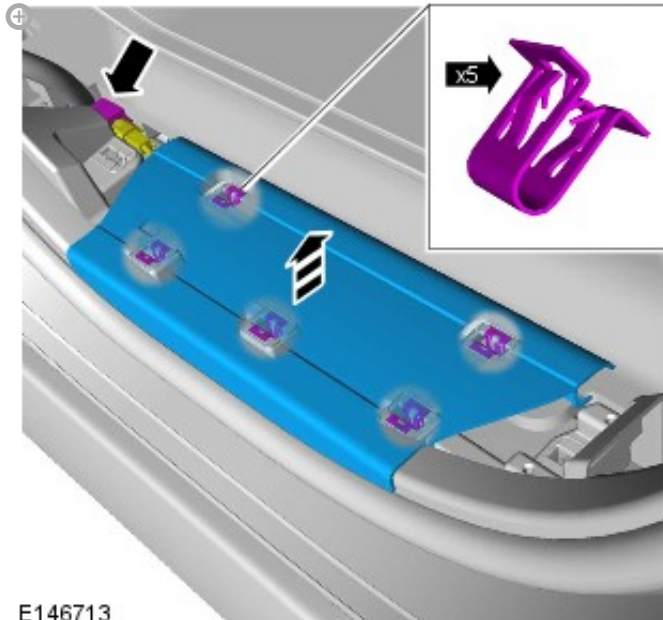


E146711

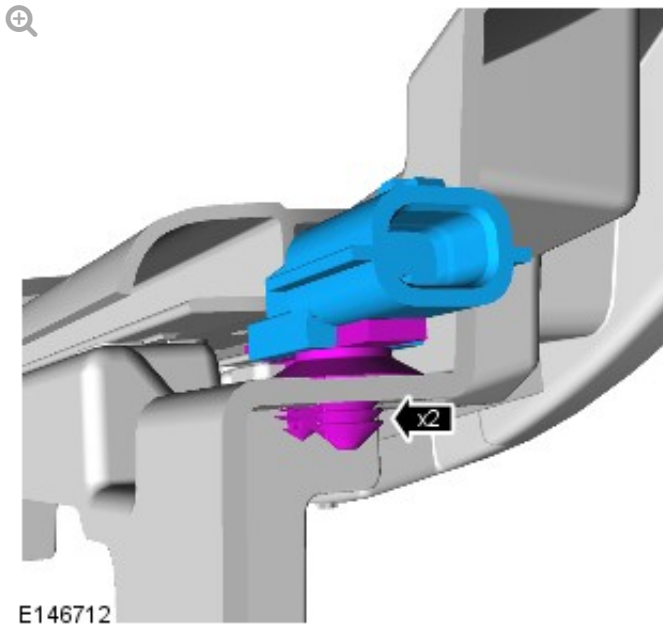
4.

NOTE:

Install new retaining clips.



5.



INSTALLATION

1. To install reverse the removal procedure.

