

2016.0 RANGE ROVER (LG), 501-12

INSTRUMENT PANEL AND CONSOLE - STANDARD WHEEL BASE

FLOOR CONSOLE UPPER SECTION (G1551596)

REMOVAL AND INSTALLATION

REMOVAL

NOTE:

Removal steps in this procedure may contain installation details.



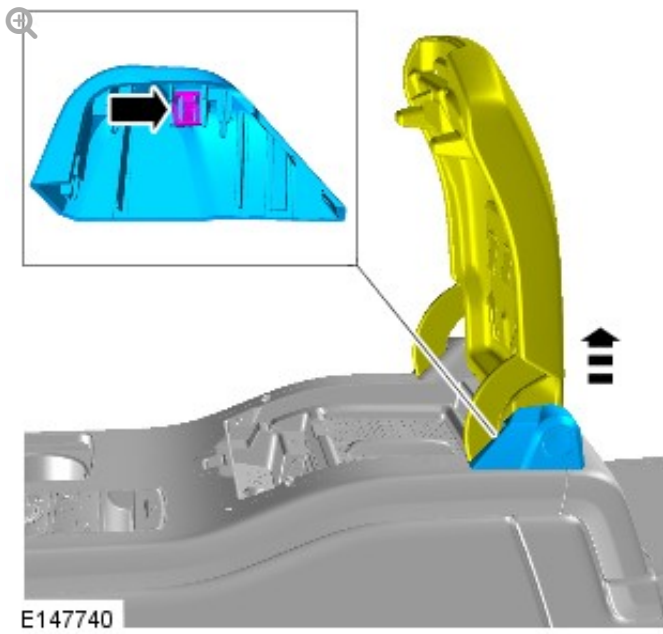
All vehicles

1. Refer to: [Climate Control Assembly](#) (412-01A Climate Control, Removal and Installation).

2.

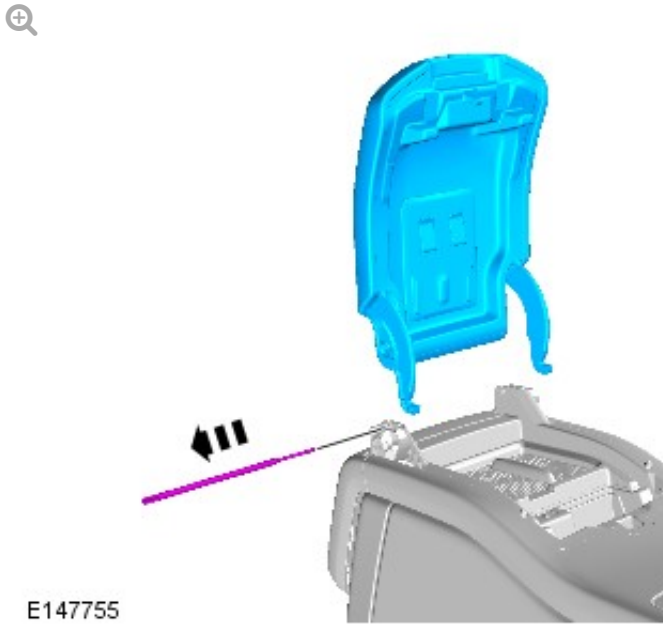
NOTE:

Repeat the procedure for the other side.



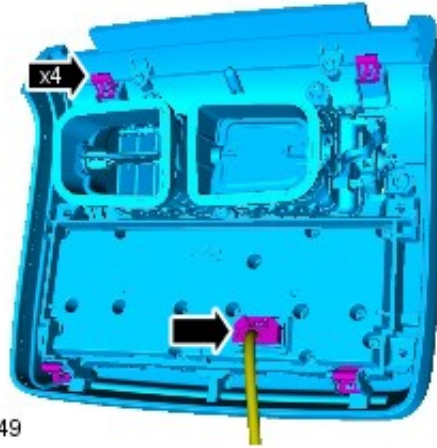
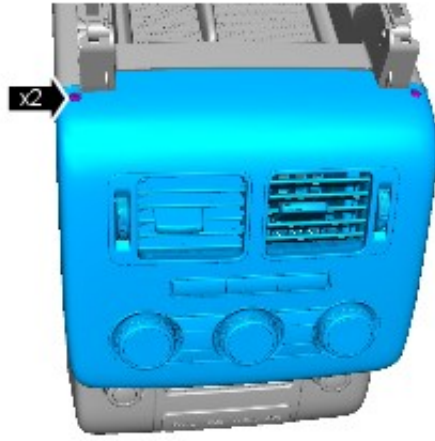
E147740

3.



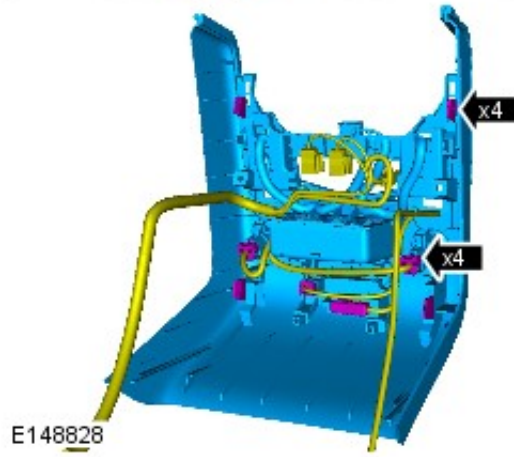
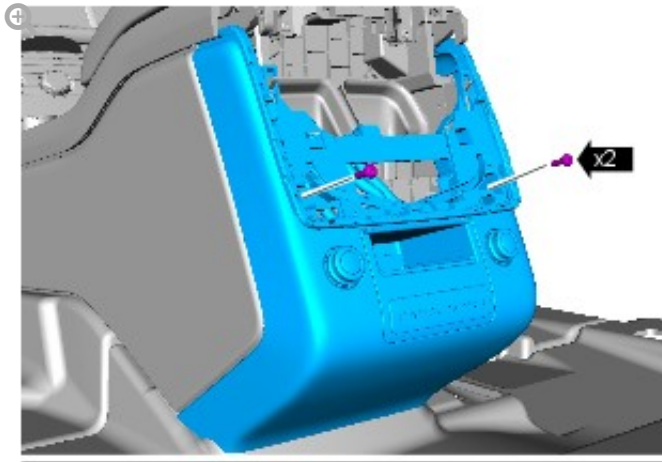
E147755

4.



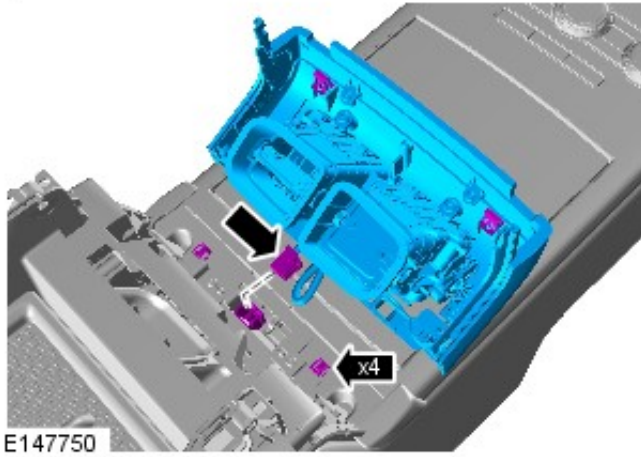
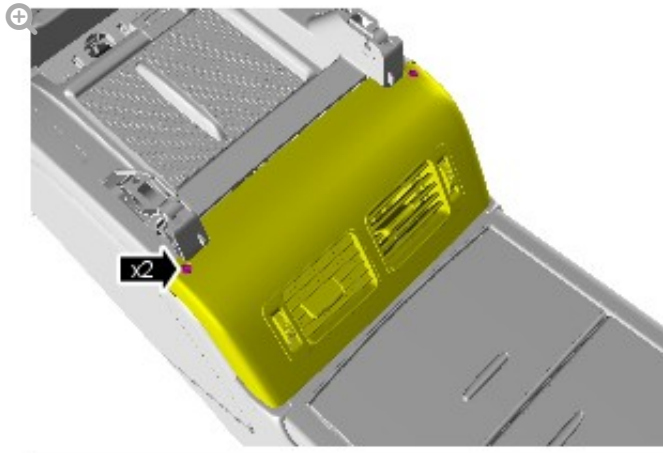
E147749

5.



Vehicles with business seats

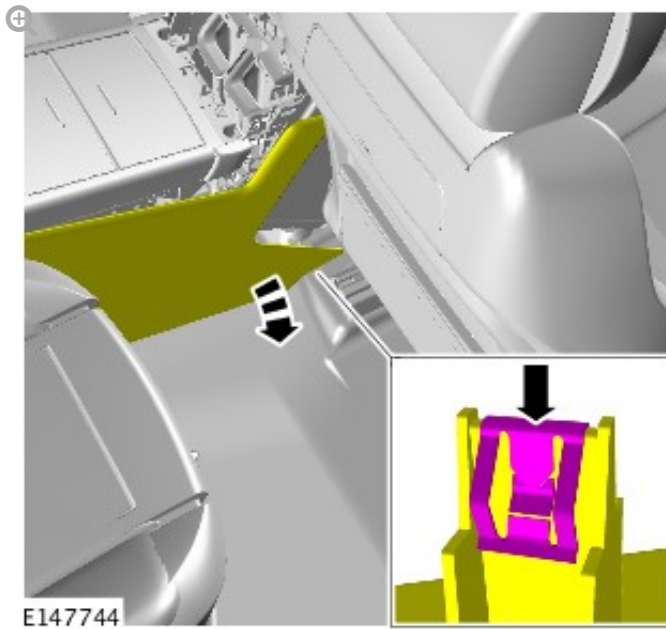
6.



7.

NOTE:

Repeat the procedure for the other side.

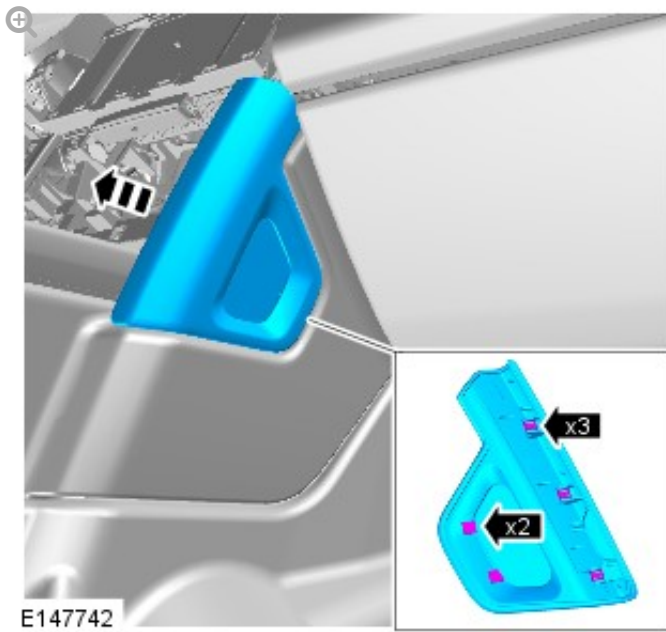


All vehicles

8.

NOTE:

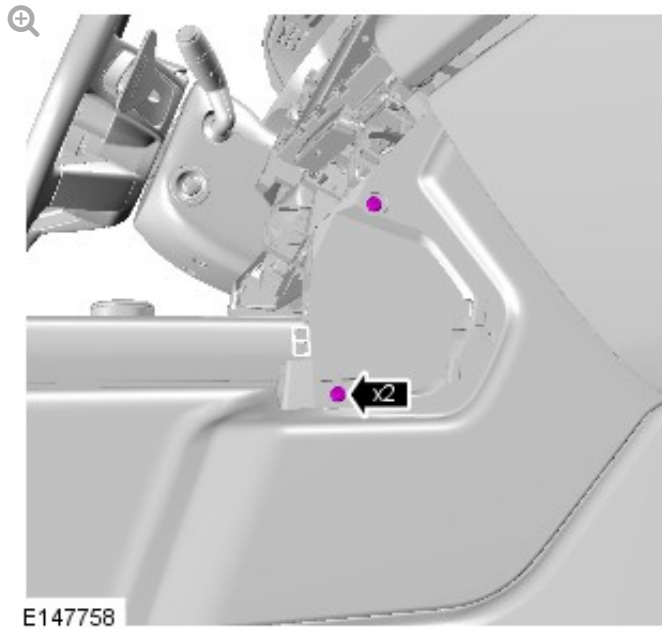
Repeat the procedure for the other side.



9.

NOTE:

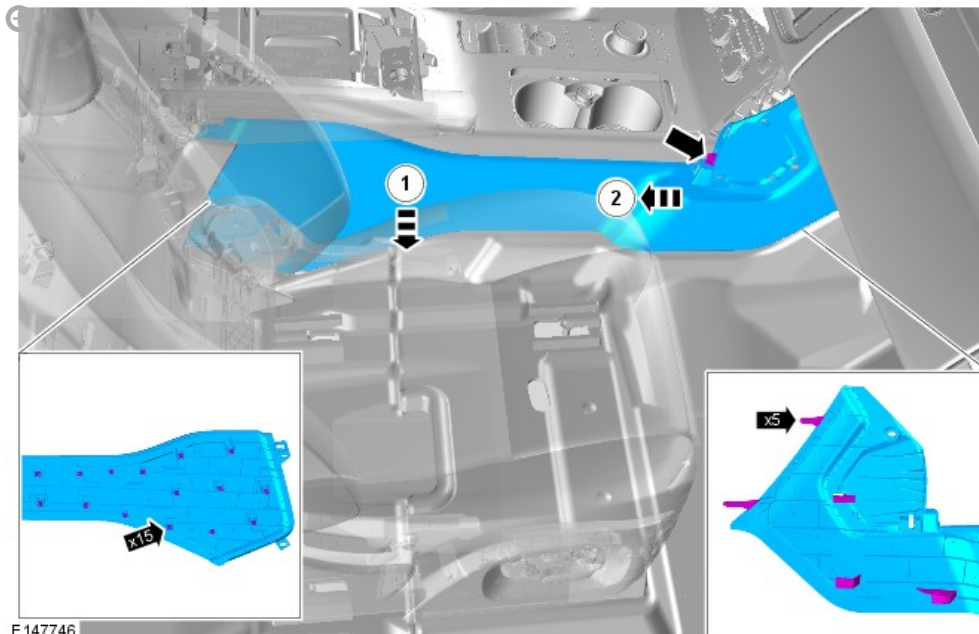
Repeat the procedure for the other side.



10.

NOTE:

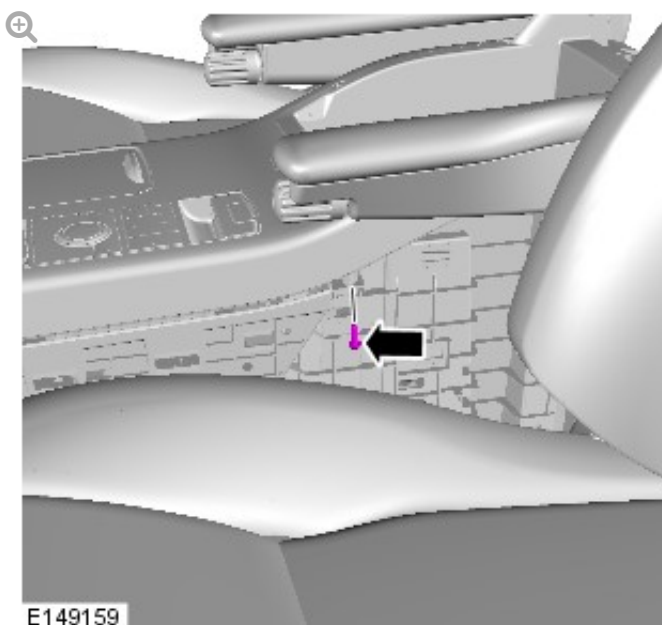
Repeat the procedure for the other side.



11.

NOTE:

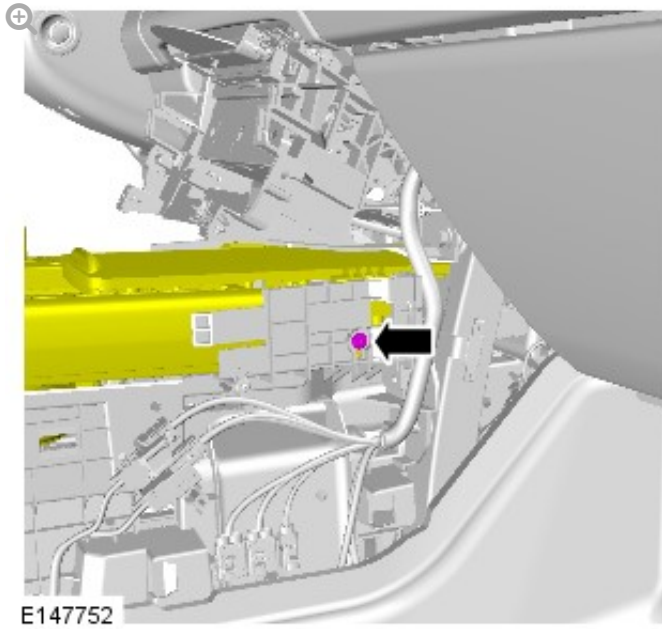
Repeat the procedure for the other side.



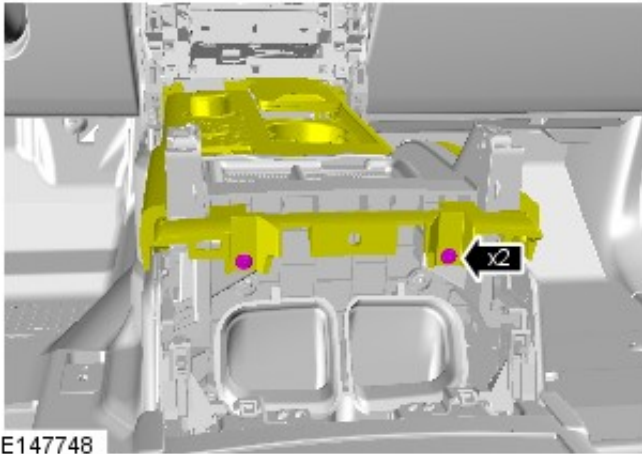
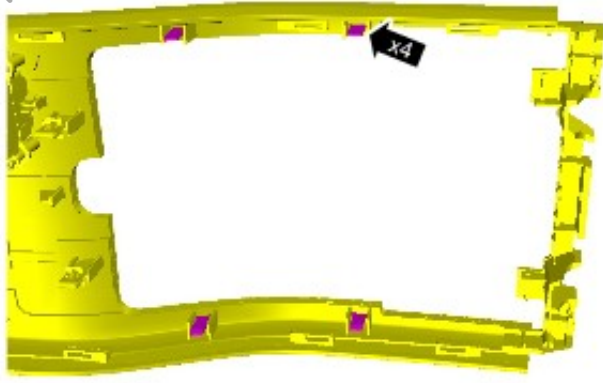
12.

NOTE:

Repeat the procedure for the other side.

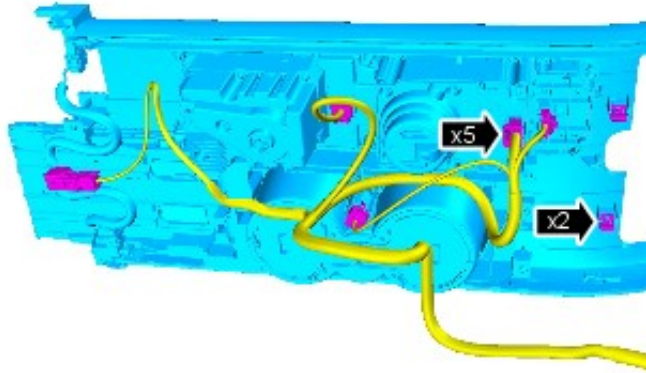
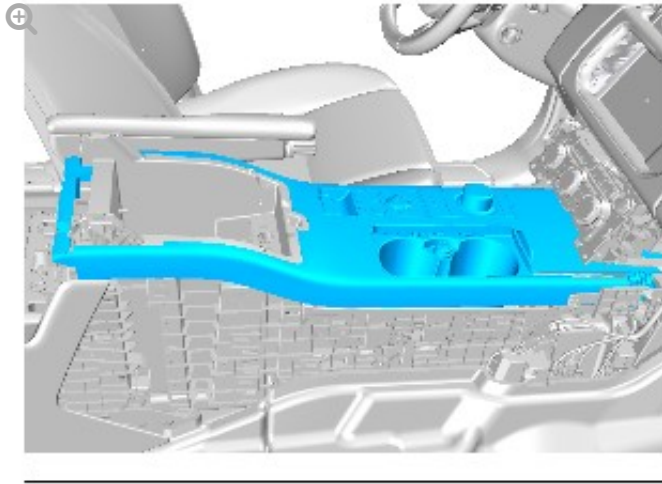


13.



E147748

14.

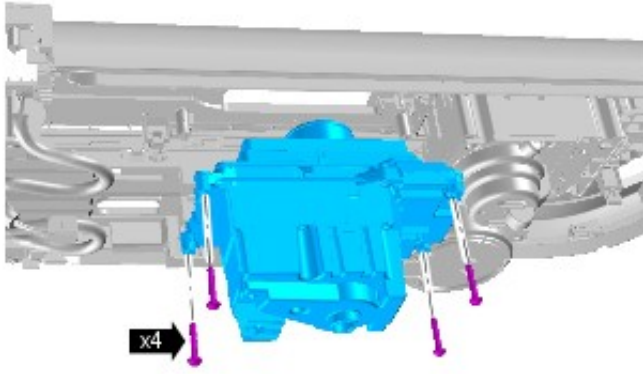


E147751

15.

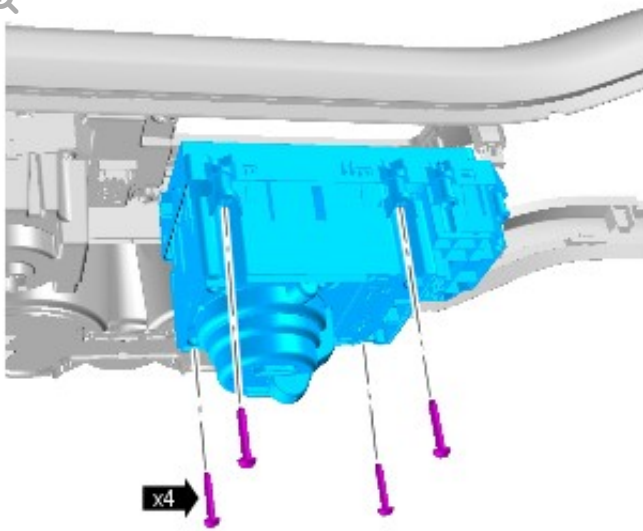
NOTE:

Do not disassemble further if the component is removed for access only.



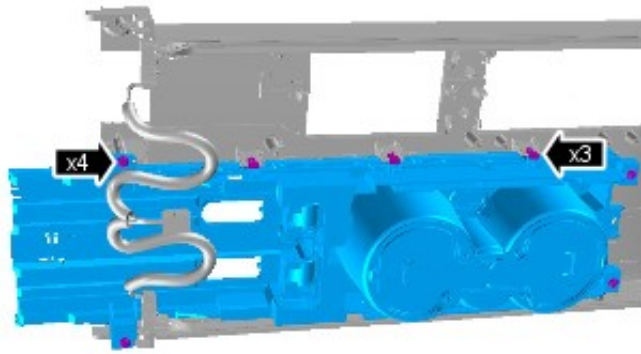
E147759

16.



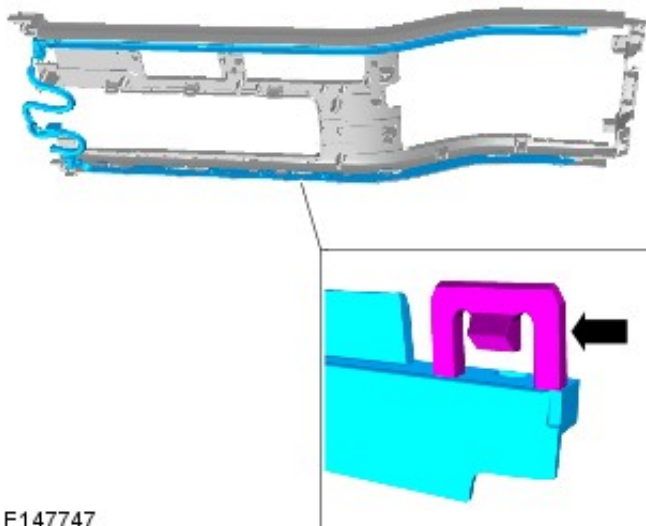
E147757

17.



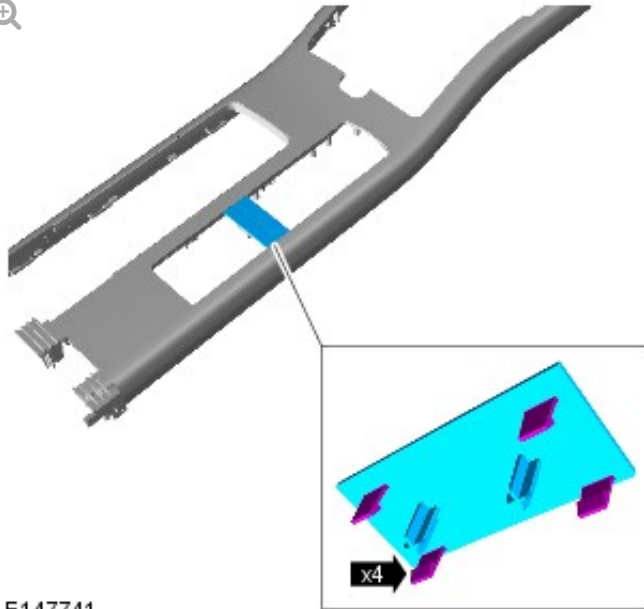
E147753

18.



E147747

19.



E147741

INSTALLATION

1.

NOTE:

Install the trim retaining clips in the moulding prior to installing the components.



E149095

2. To install, reverse the removal procedure.