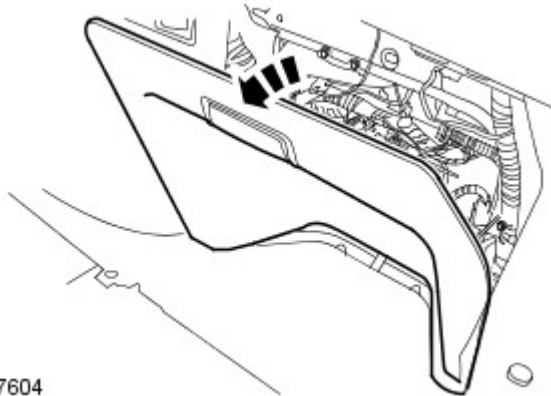


Wheels and Tires - Tire Pressure Monitoring System (TPMS) Module

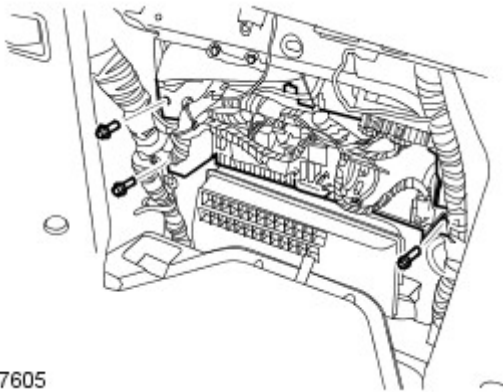
Removal and Installation

Removal



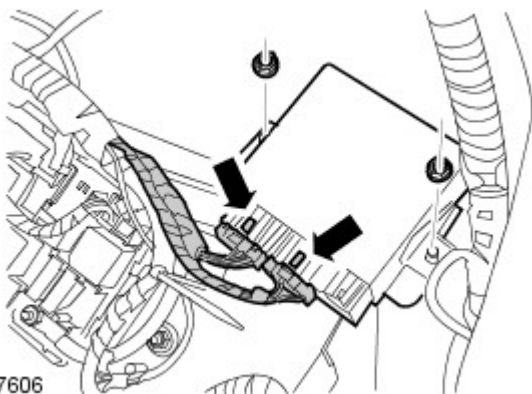
E67604

1. Remove the access panel from the loadspace RH trim panel.



E67605

2. Release the auxiliary junction box mounting bracket.
 - Remove the 3 bolts.



E67606

3. Remove the tire pressure monitoring module.
 - Disconnect the 2 electrical connectors.
 - Remove the 2 nuts.

Installation

1. Install the tire pressure monitoring module.
 - Tighten the nuts.
 - Connect the electrical connectors.
2. Secure the auxiliary junction box mounting bracket.
 - Tighten the bolts to 6 Nm (4 lb.ft).
3. Install the access panel.

4. Using WDS, initiate a new control module.