


Seating - Front Seat Armrest

Removal and Installation

Removal

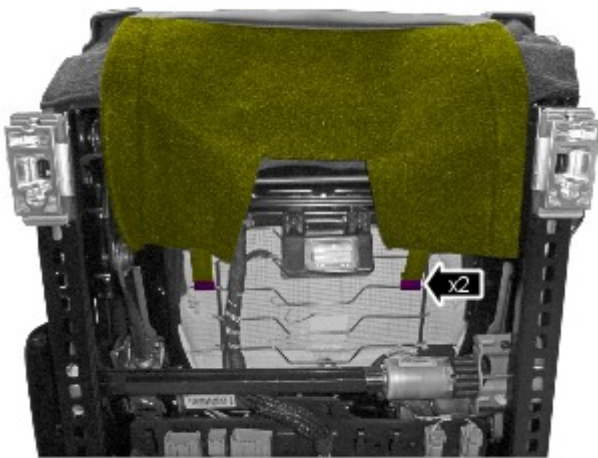
NOTES:

 Removal steps in this procedure may contain installation details.

 Some variation in the illustrations may occur, but the essential information is always correct.

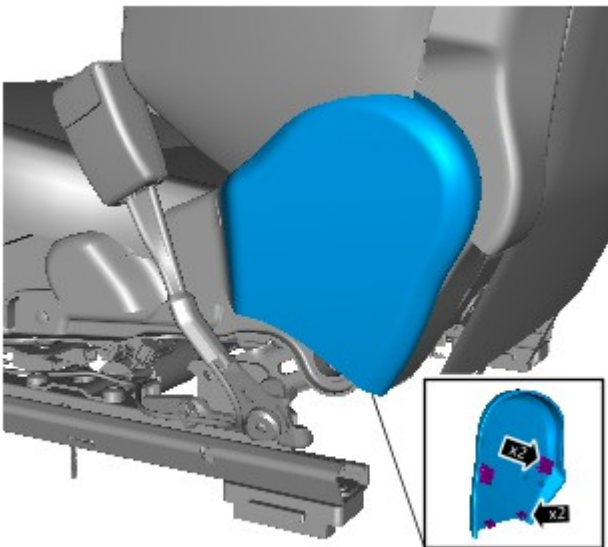
1. Refer to: [Front Seat](#) (501-10B Seating, Removal and Installation).

2.



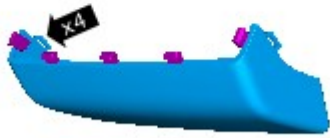
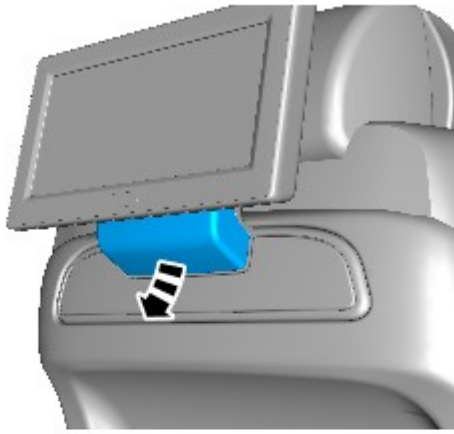
E143833

3.

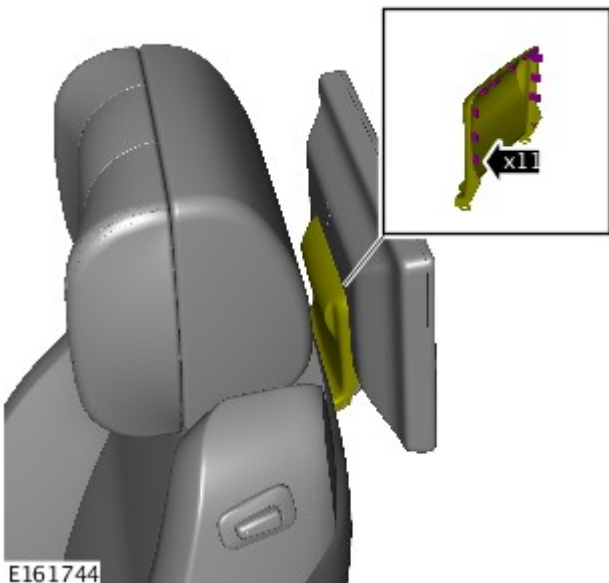


E161742

4.



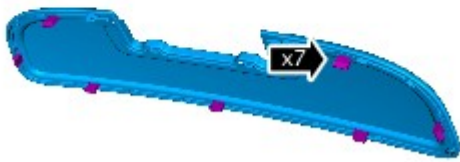
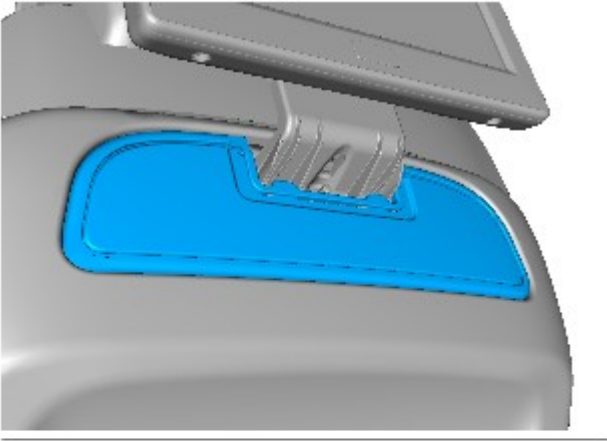
E161743



E161744

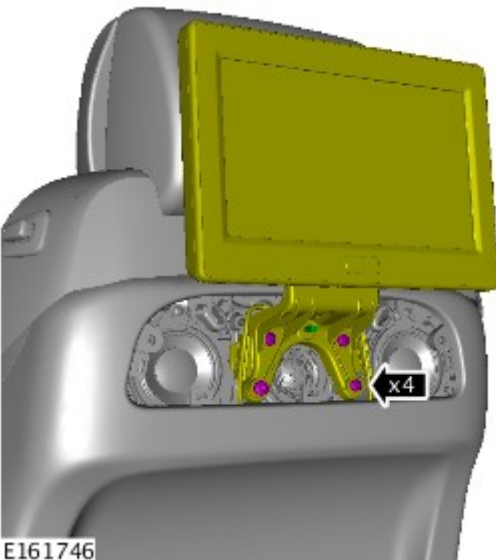
5.

6.



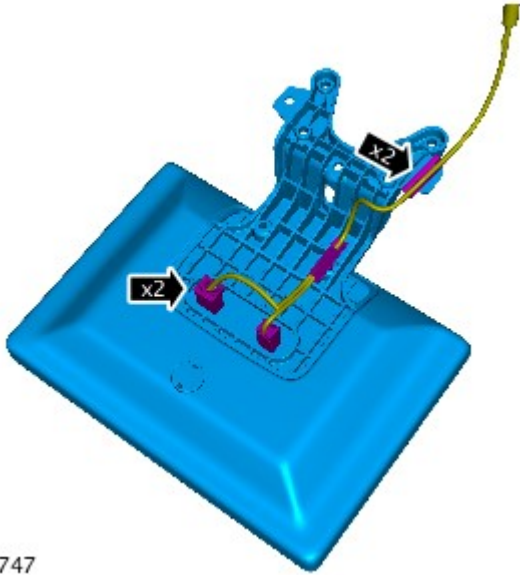
E161745

7. Torque: 6.5 Nm

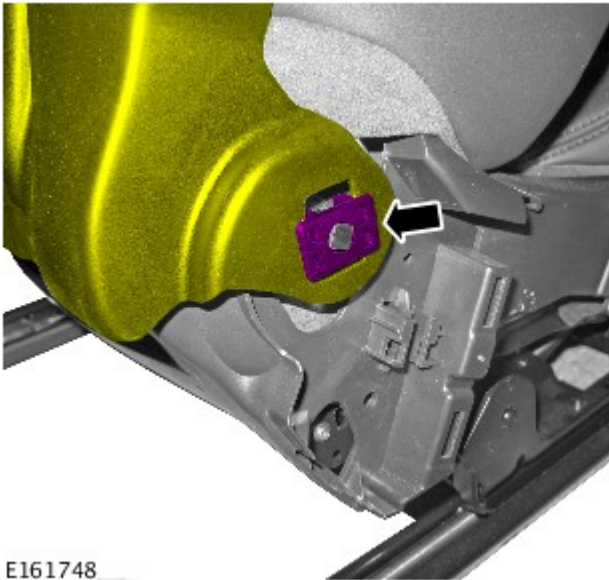


E161746


8.



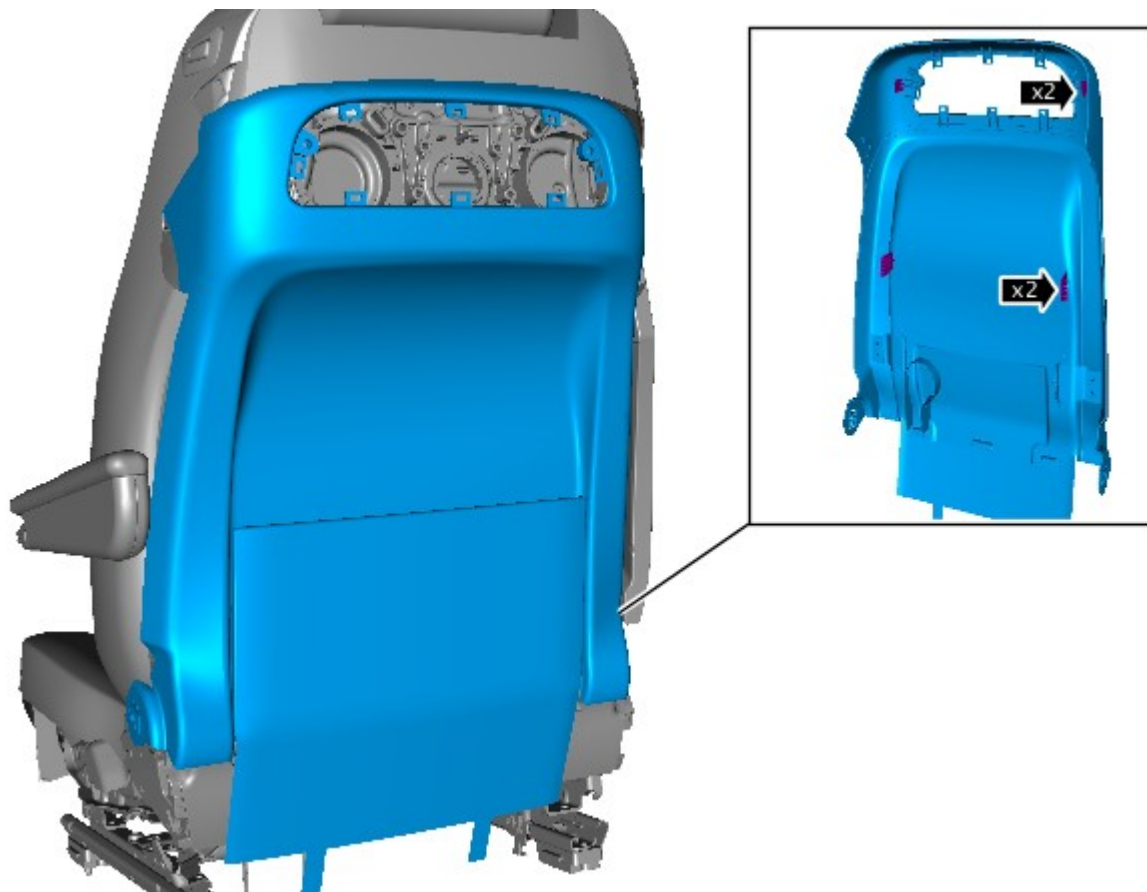
E161747



E161748

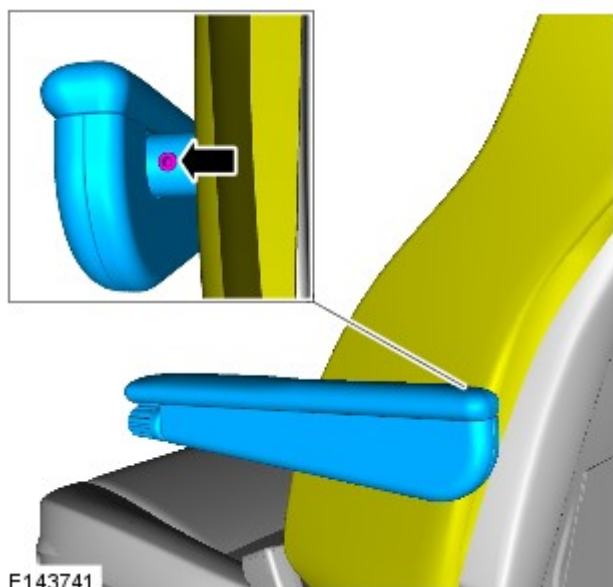
9.  NOTE: Repeat the step for the other side.

10.



E161749

11. Torque: 25 Nm



E143741

Installation

1. To install, reverse the removal procedure.