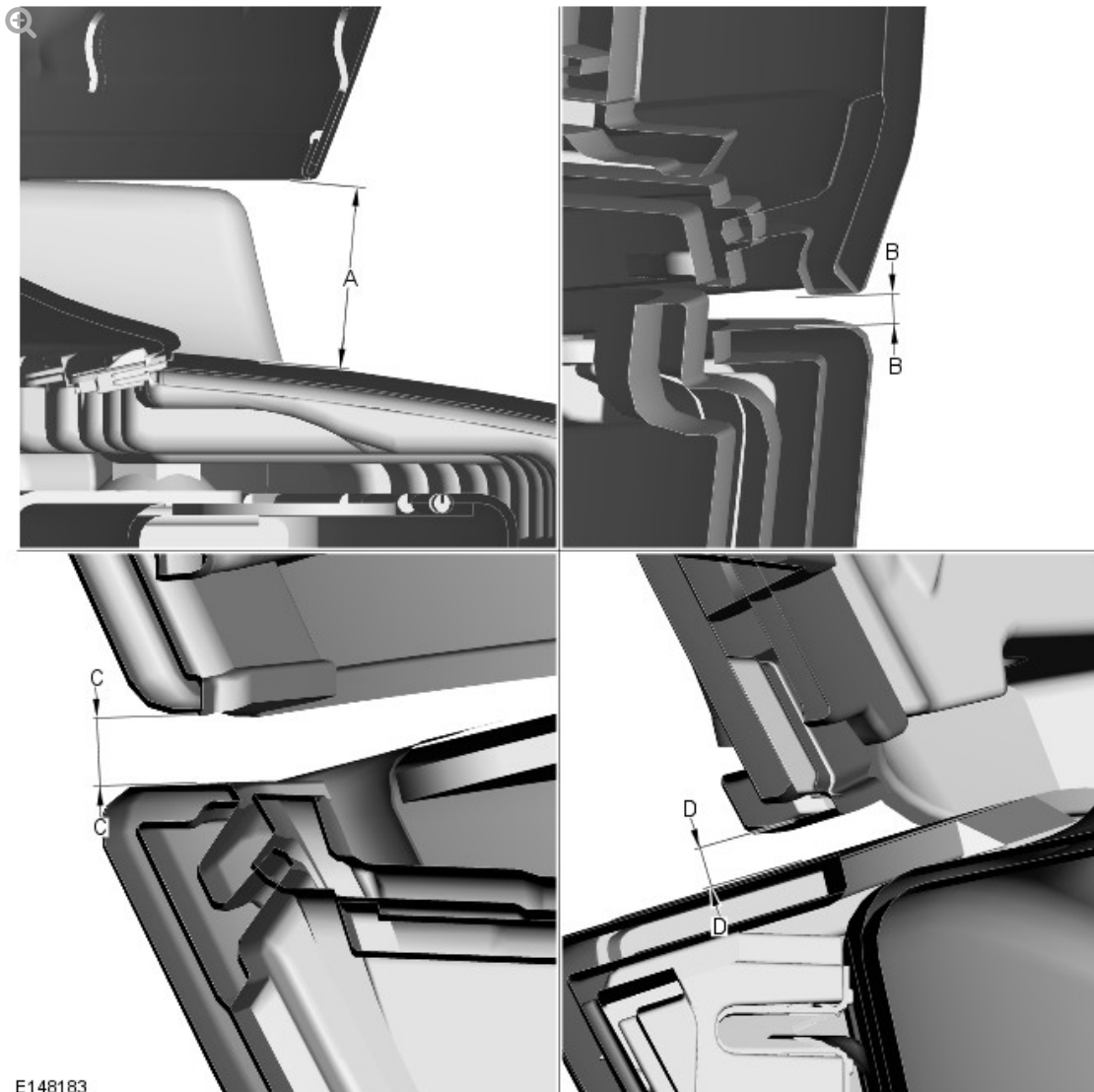


E142507



E148183

SECTION	DESCRIPTION	GAP	PROFILE
A-A	Tailgate to bumper cover	38 +/-1.8	N/A
B-B	Tail lamp to bumper cover	2 +/-1.45	N/A
C-C	Tail lamp to tailgate	4.5 +/-2.1	0+/-1.6
D-D	D-Pillar trim panel to rear window	5 +/-1.88	N/A