



Height sensor

64.36.01

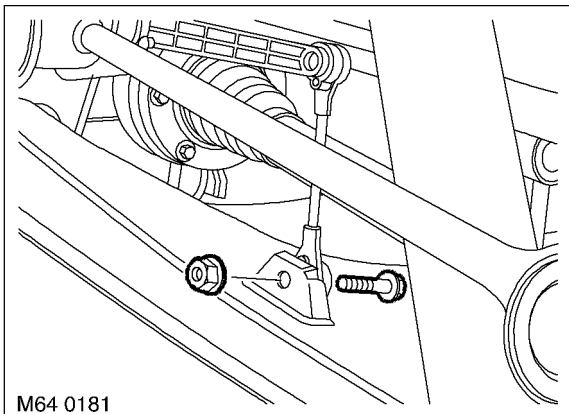
For models fitted with Xenon headlamps the RH front and RH rear height sensors are different to those models with standard headlamps. The Xenon sensors can be identified by a white stripe on the back face of the sensor housing. These sensors can be fitted to models without Xenon headlamps. But the standard sensors cannot be fitted to Xenon models.

Remove

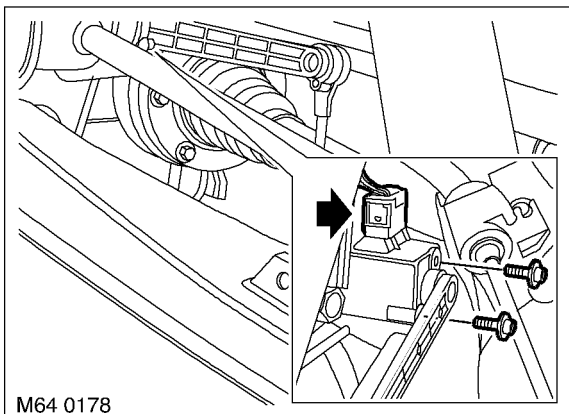
1. Raise rear of vehicle.

WARNING: Do not work on or under a vehicle supported only by a jack. Always support the vehicle on safety stands.

2. Remove road wheel.



3. Remove nut and bolt securing sensor link to lower arm.



4. Disconnect multiplug.

5. Using a 4mm Allen socket, remove 2 Allen screws securing height sensor to mounting bracket and remove height sensor.

Refit

1. Ensure sensor and mounting bracket mating surfaces are clean.
2. Position height sensor to mounting bracket, fit Allen screws and tighten to 5 Nm (3.7 lbf.ft).
CAUTION: Ensure height sensor arm is pointing outwards.
3. Align height sensor link to lower arm, fit nut and bolt and tighten to 19 Nm (14 lbf.ft).
4. Connect multiplug to sensor.
CAUTION: Ensure 'O' ring seal is correctly located in multiplug.
5. Fit road wheel and tighten nuts to 140 Nm (103 lbf.ft).
6. Remove stands and lower vehicle.
7. Use TestBook/T4 to re-calibrate system, if fitting a new sensor.
FRONT SUSPENSION, ADJUSTMENTS, Calibrate - air suspension.