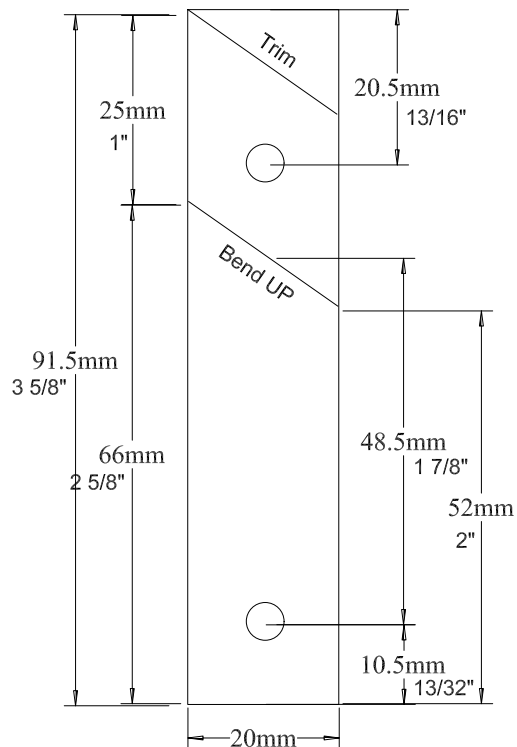
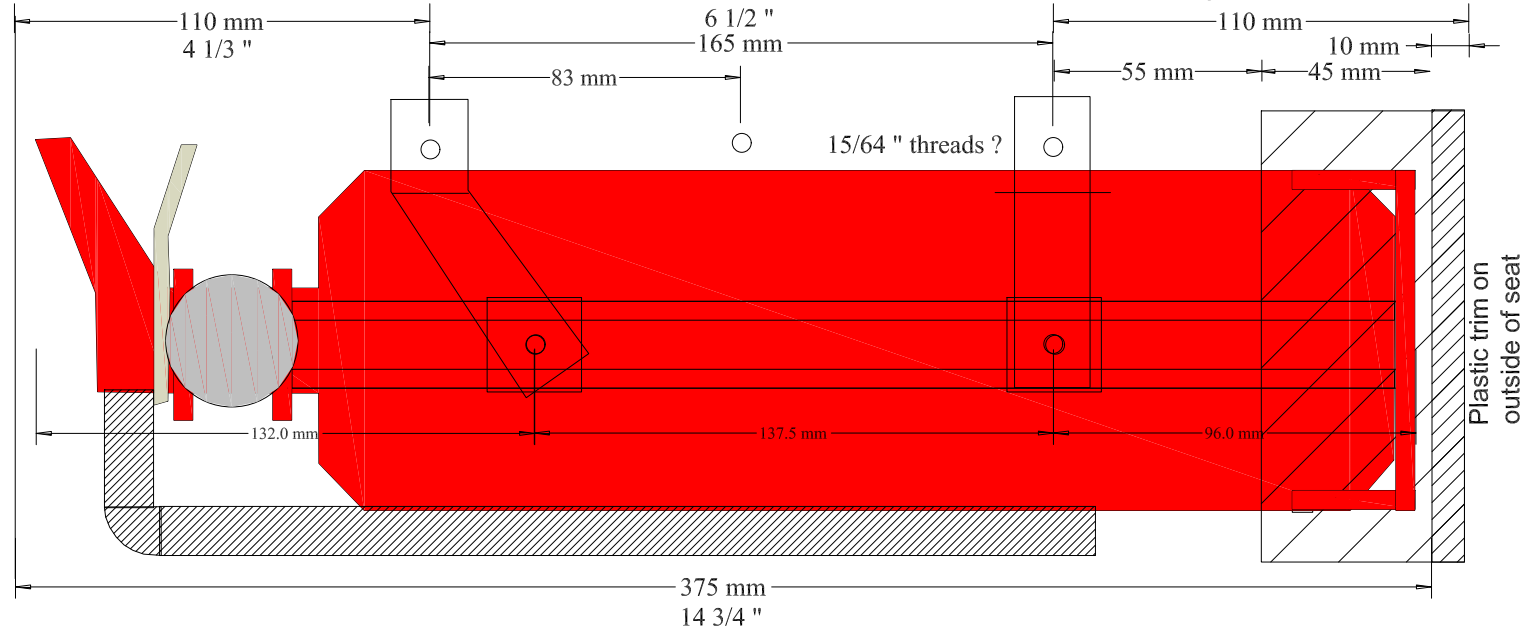
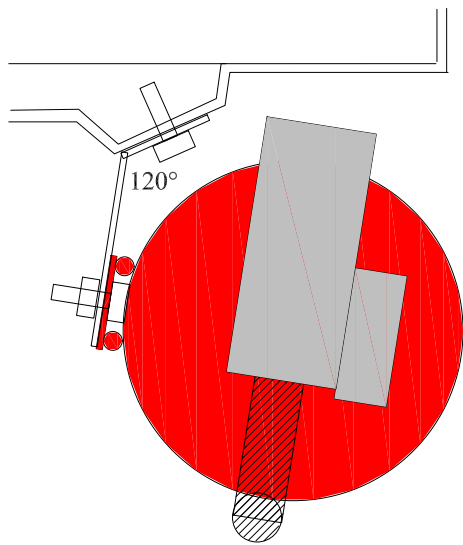


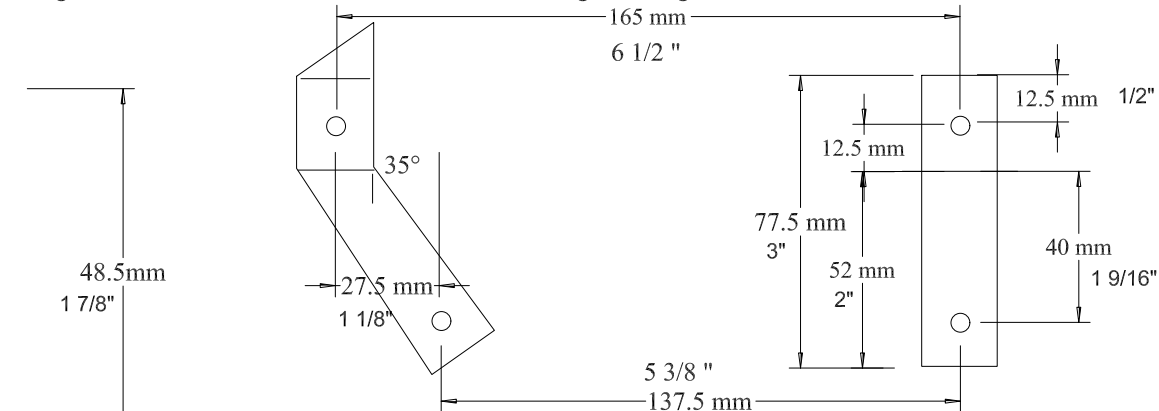
Fire Extinguisher Mount for Range Rover L322

There are 3 mount points under each front seat. They only go ~10mm deep into the seat base, angled forward at ~10°. They are tapped for some weird British thread at about 15/64". I re-tapped them to accept 1/4" Whitworth threads and cut some bolts to 1/2" long to fit.



My 1.5kg extinguisher is 366mm long and 80mm diameter; so 40mm mounting length plus a 20° tilt results in >5mm top clearance. The extinguisher mounting points are 18mm off centre towards the base. I used 2mm thick galvanized steel 20mm wide to make the brackets. Note the bends are only 60°, not 90°.

The right hand bracket is easy, straight with a 60° bend and 2 holes. The left though was 27.5 mm out of line, so a beveled bend is required. A little calc finds that a 27.5 wide by 40 high triangle has a hypotenuse of 48.5 at an angle of 35°. Similarly a 35° hypotenuse from 20 wide climbs 14. Adding on ~10mm past the bolt hole gives the sizes shown in the full-sized marking out diagram on the left.



for 25mm wide

These diagrams are for the left hand seat (with the extinguisher base behind the plastic trim); bend the other way if fitting to right hand seat.