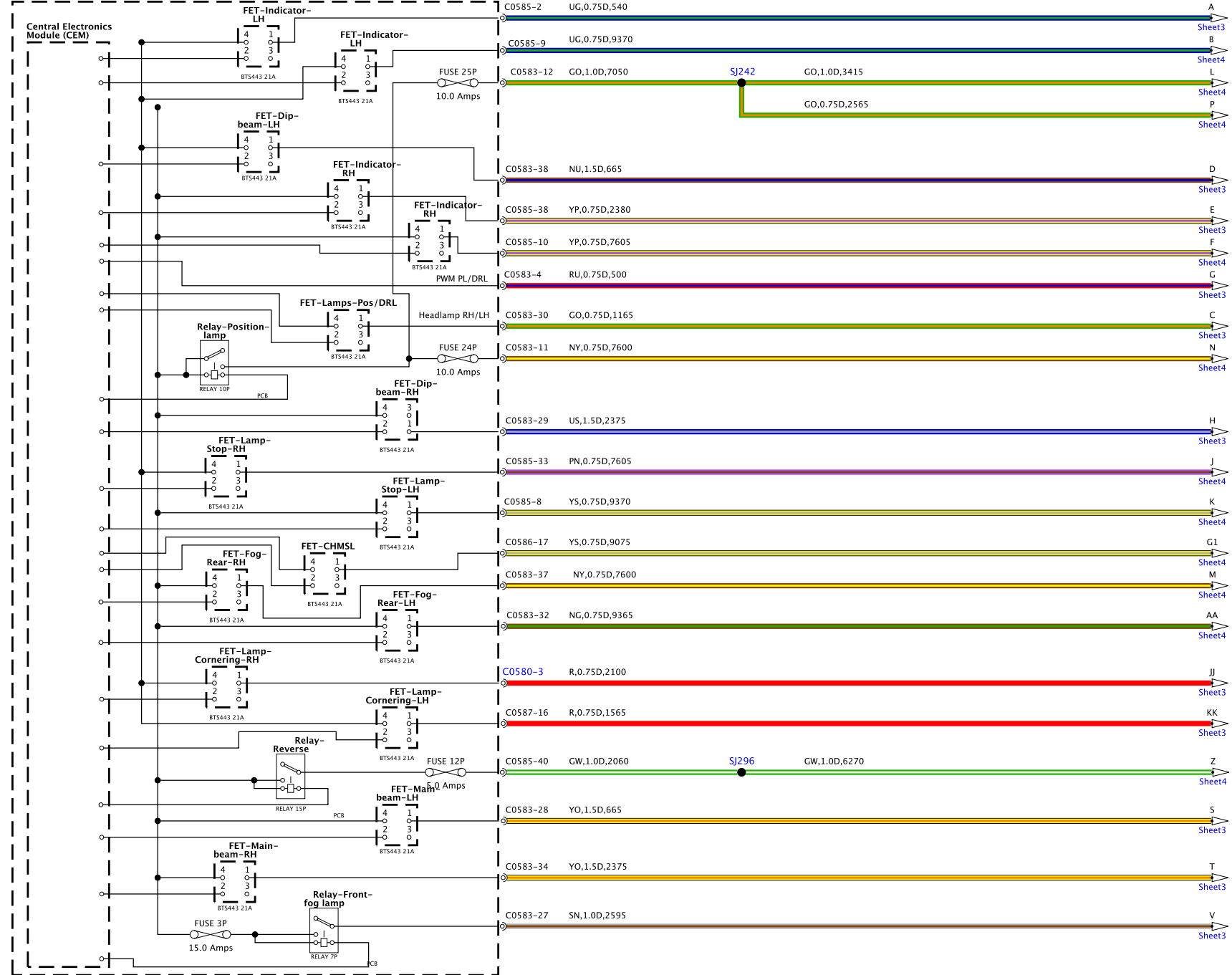
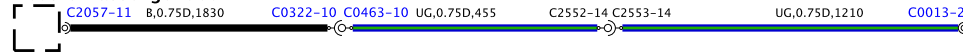


0M02-20000-1-A-02-05-Service (L322-11MY-2003)

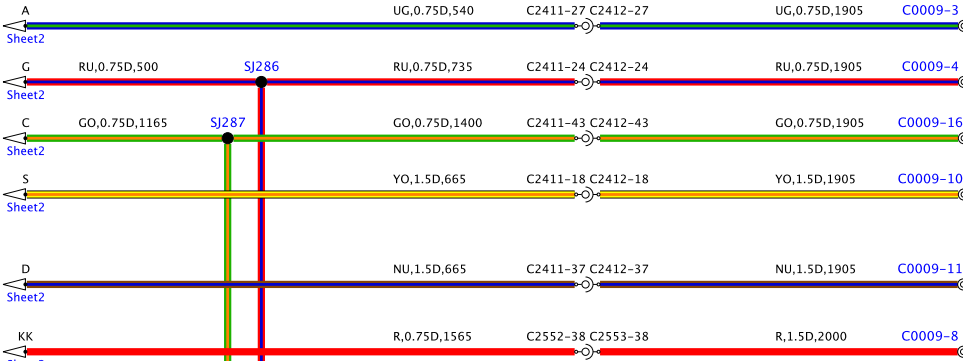
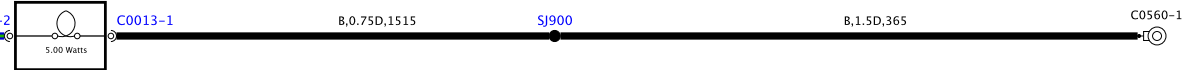
Junction box-Central



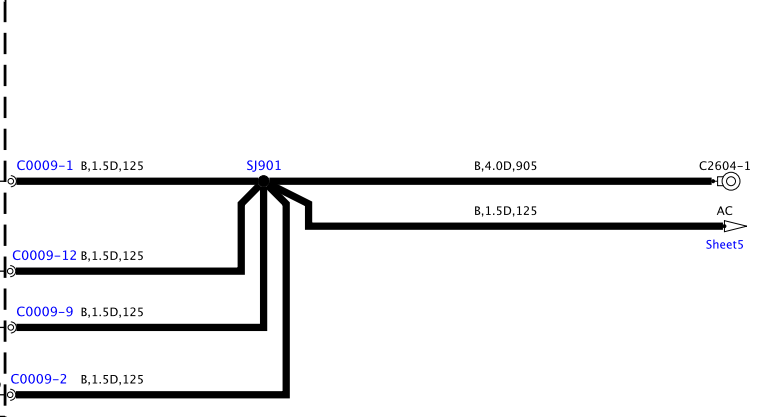
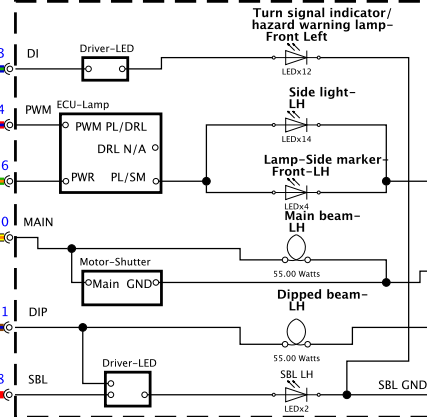
Module-Passenger door



Lamp-Side repeater-Front-Left



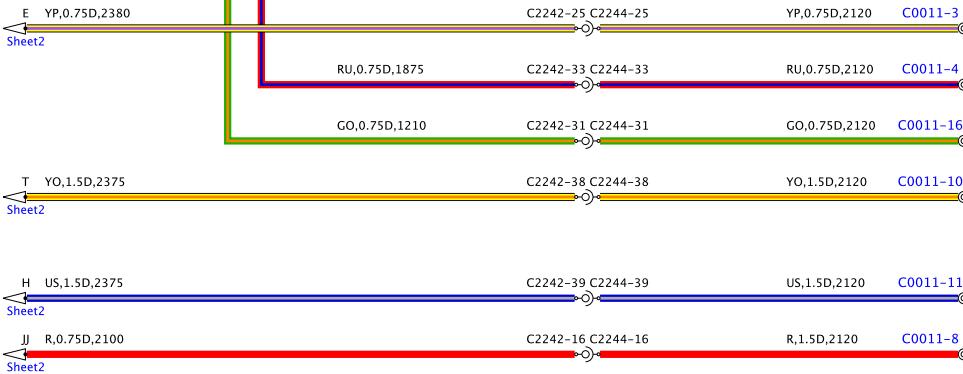
Headlamp-Left



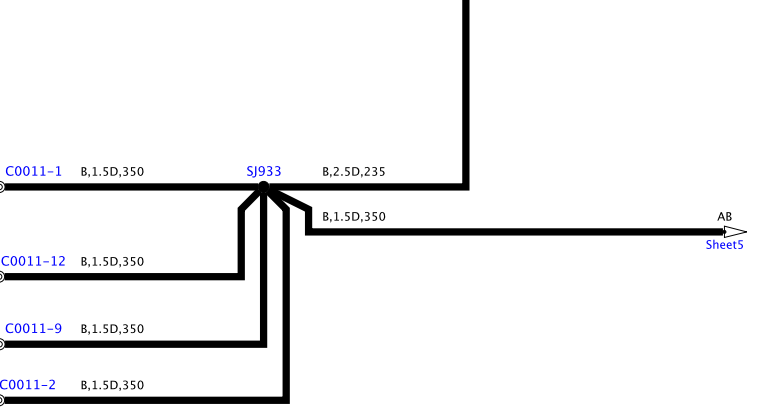
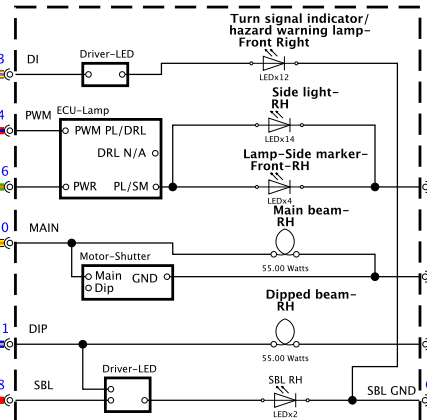
Lamp-Fog-Front-Left



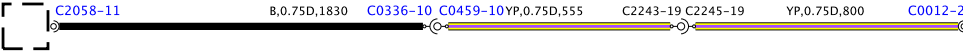
Lamp-Fog-Front-Right



Headlamp-Right



Module-Driver door



Lamp-Side repeater-Front-Right



BH42-70905-F-A-04-05-Service (3/22-11MP-0081)

