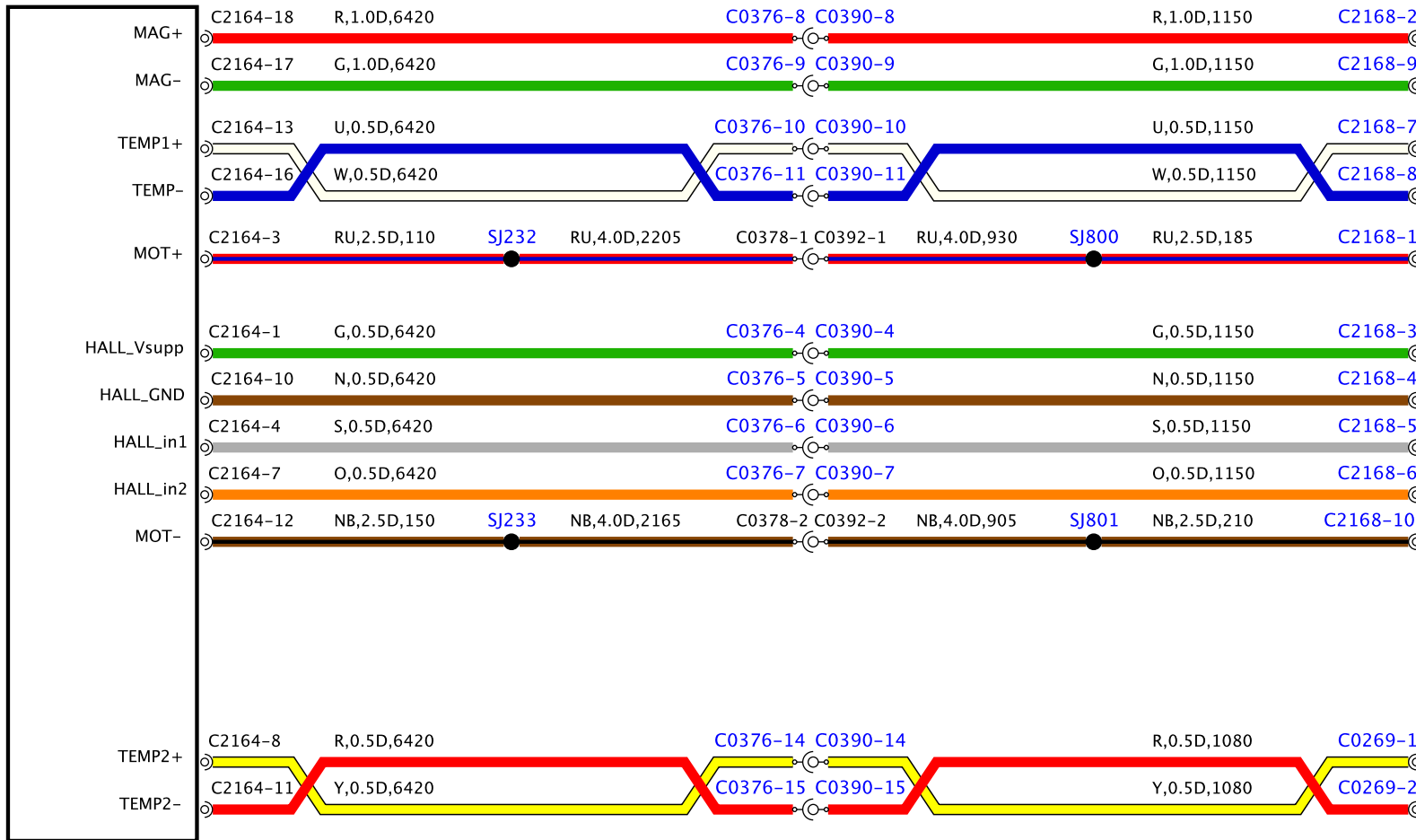
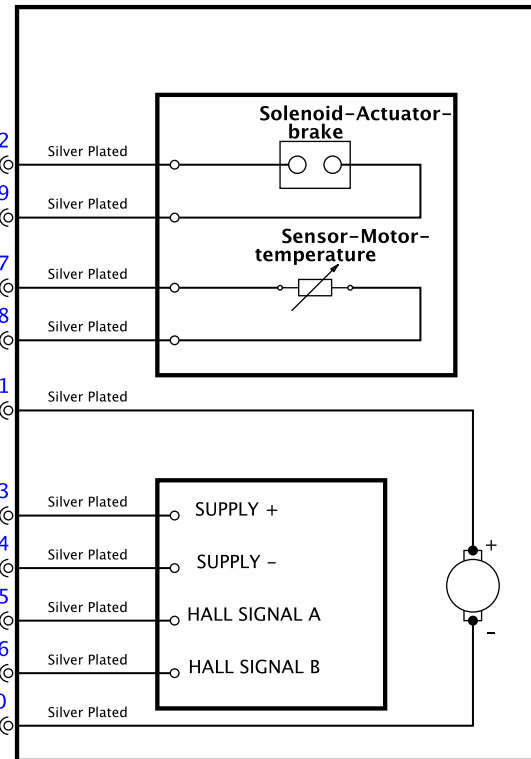


Module-Rear differential control



Actuator-Rear differential



Sensor-Temperature-Differential oil

