

2016.0 RANGE ROVER (LG), 204-02

REAR SUSPENSION

REAR SHOCK ABSORBER

[G1508943]

REMOVAL AND INSTALLATION

64.30.02	DAMPER - ONE SIDE - RENEW	ALL DERIVATIVES	1.1	USED WITHINS	+
----------	------------------------------------	--------------------	-----	-----------------	---

REMOVAL

1.

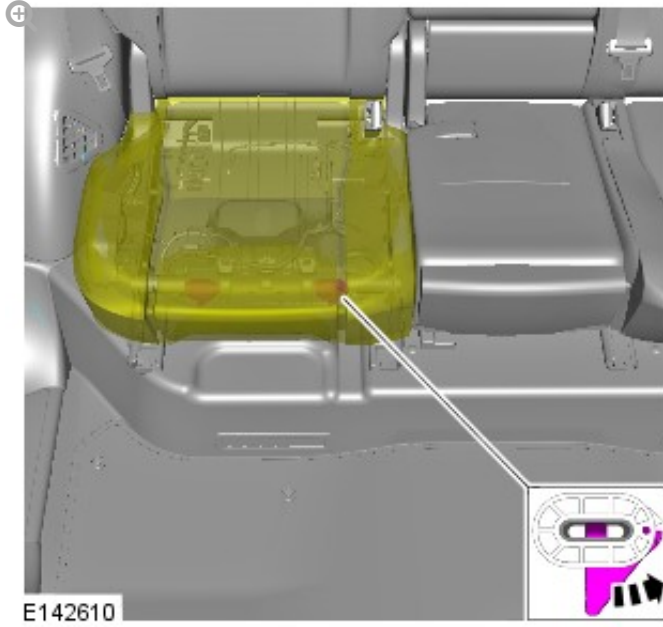
CAUTION:

This step must be carried out in order to maintain the correct compressor/dryer performance.

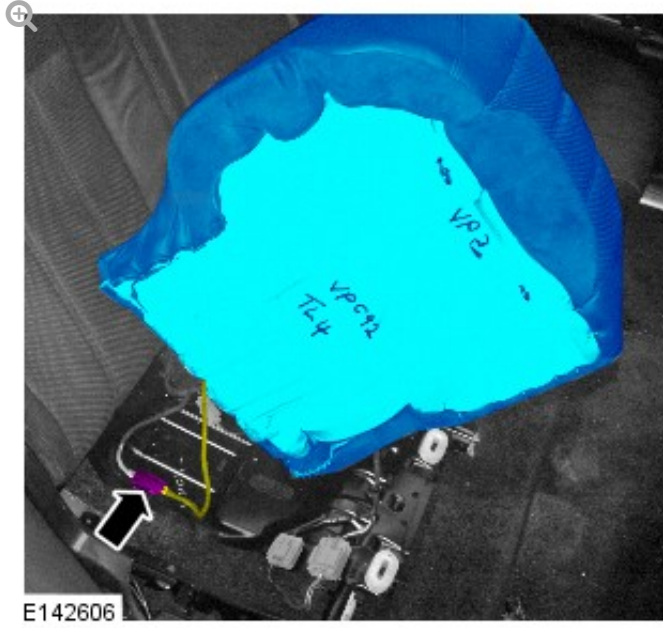
Using Land Rover approved diagnostic equipment depressurize the rear air spring.

Refer to: [Air Suspension System Depressurize and Pressurize](#) (204-05 Vehicle Dynamic Suspension, General Procedures).

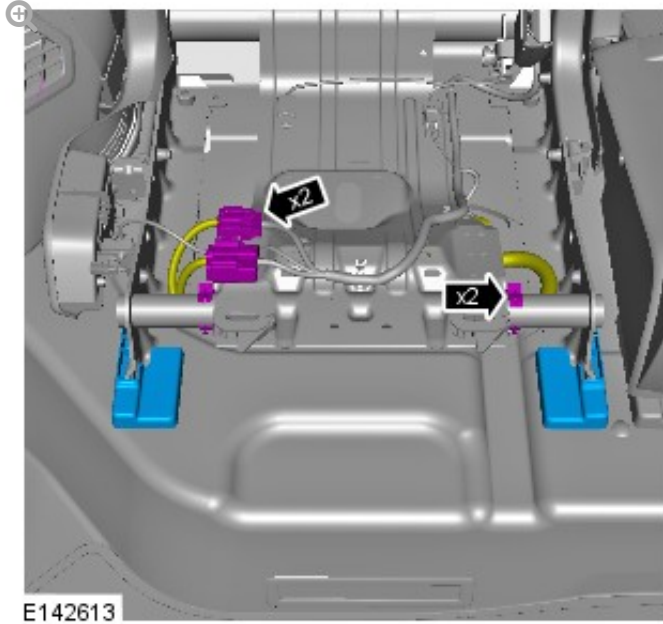
2.



3.

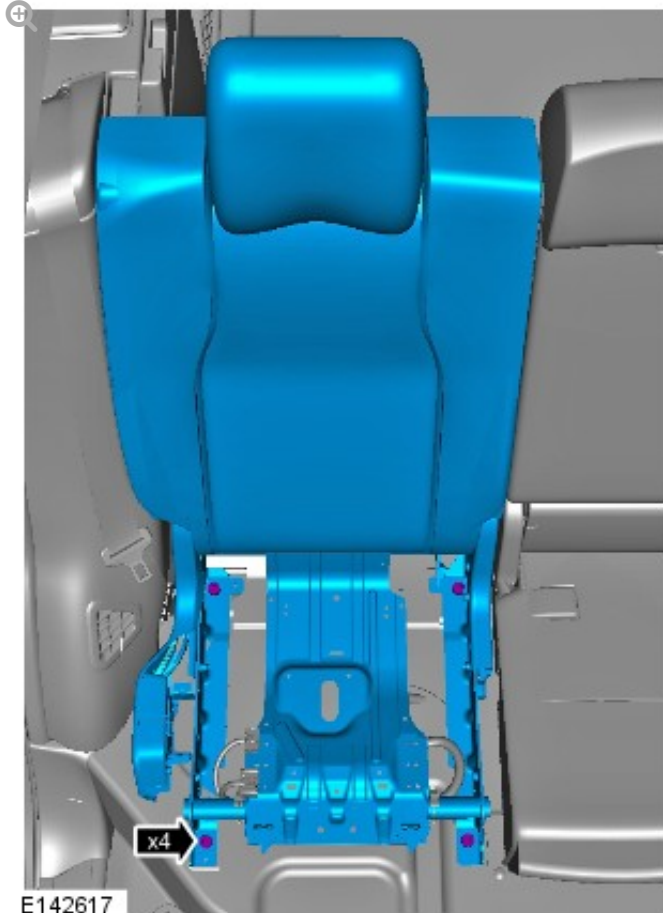


4.



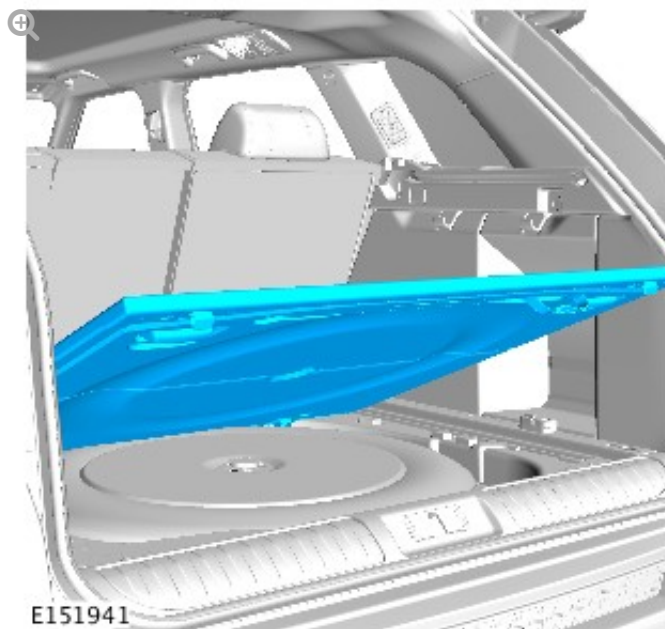
E142613

5.

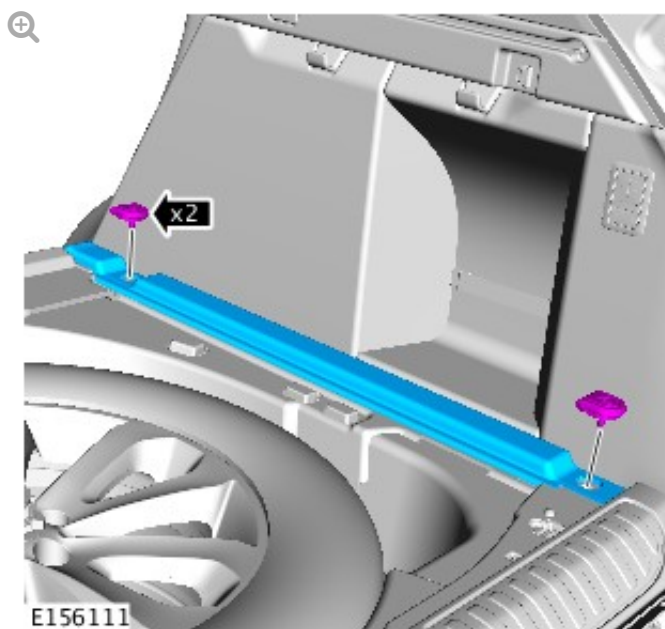


E142617

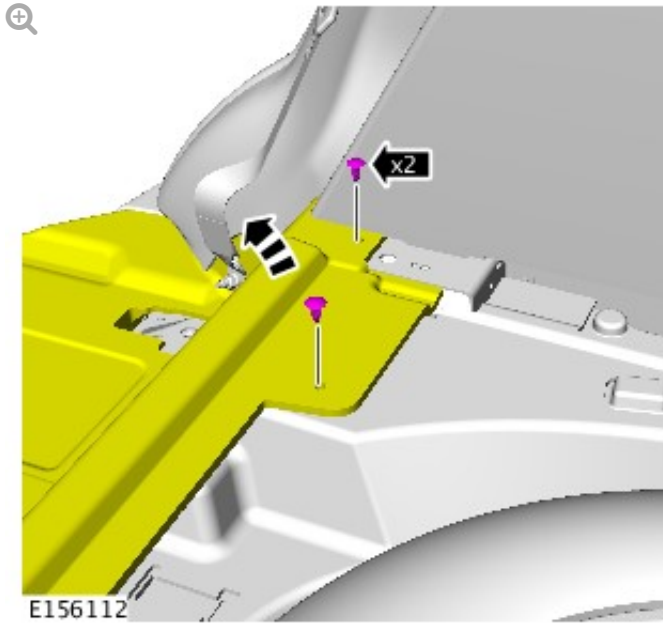
6.



7.

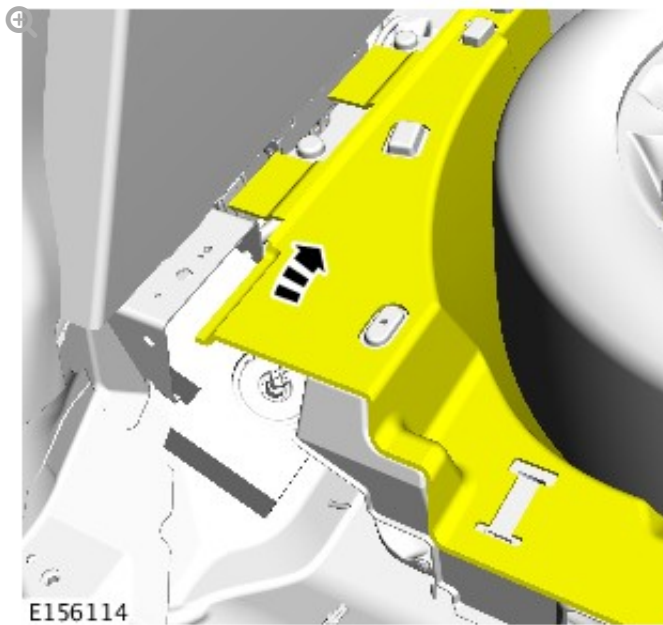


8.

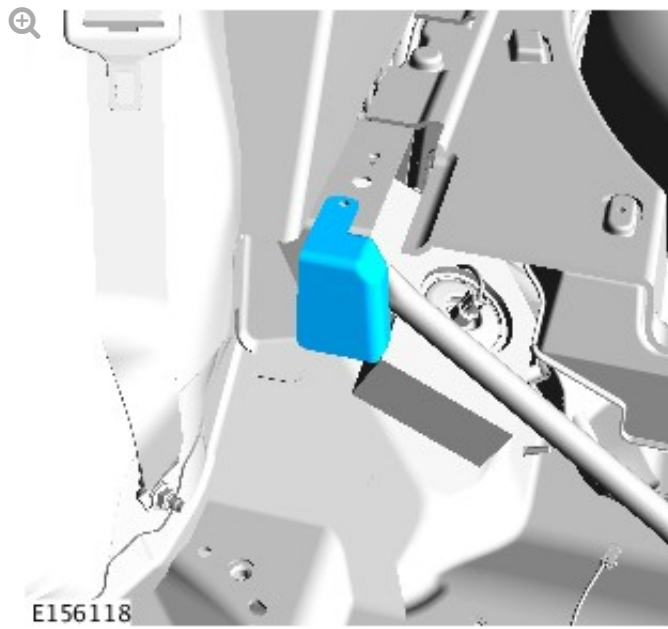


9. Refer to: [Wheel and Tire - GTDi 2.0L Petrol/TDV6 3.0L Diesel /TDV8 4.4L Diesel/V6 S/C 3.0L Petrol /V8 N/A 5.0L Petrol/V8 S/C 5.0L Petrol \(204-04 Wheels and Tires, Removal and Installation\)](#).

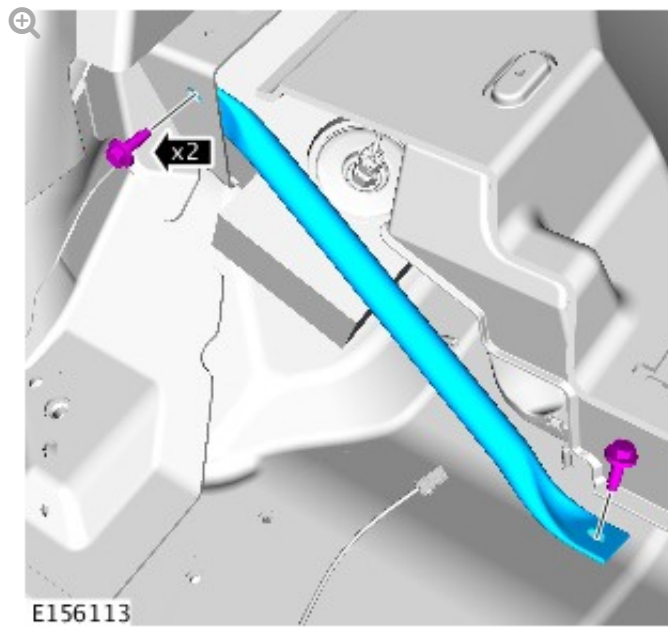
10.



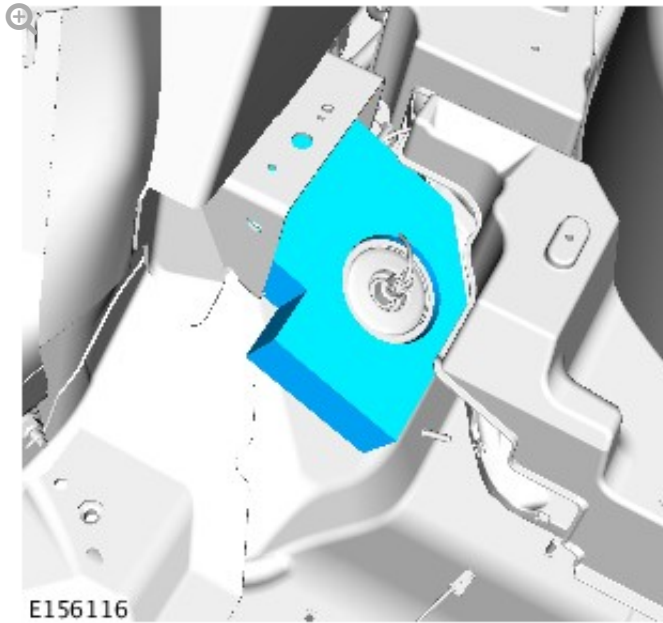
11.



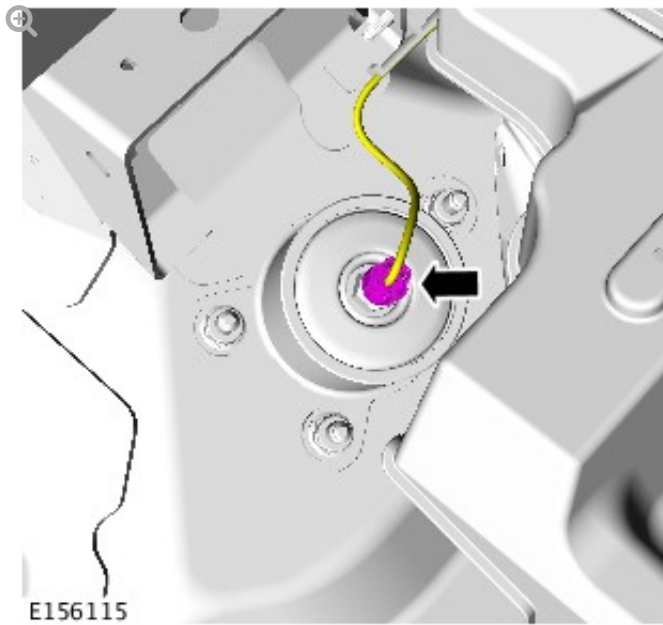
12.



13.



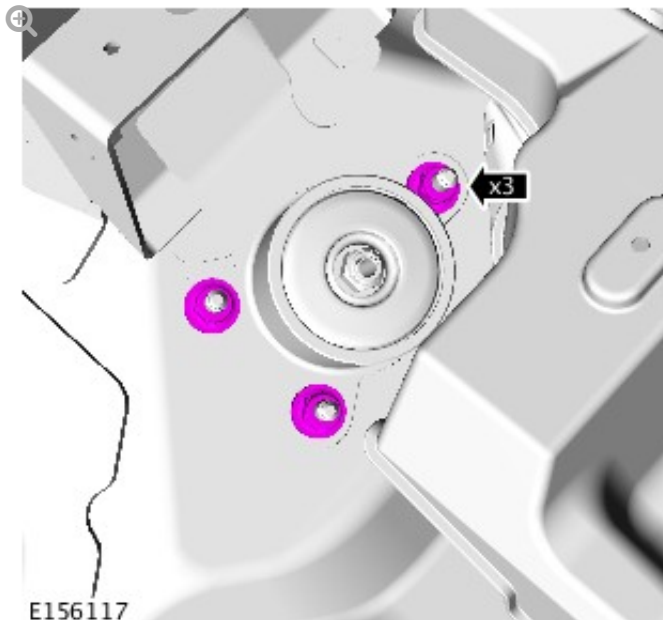
14.



15.

CAUTION:

Discard the nuts.



16.

WARNING:

Do not work on or under a vehicle supported only by a jack.
Always support the vehicle on safety stands.

Raise and support the vehicle.

Refer to: [Wheel and Tire - GTDi 2.0L Petrol/TDV6 3.0L Diesel /TDV8 4.4L Diesel/V6 S/C 3.0L Petrol /V8 N/A 5.0L Petrol/V8 S/C 5.0L Petrol](#) (204-04 Wheels and Tires, Removal and Installation).

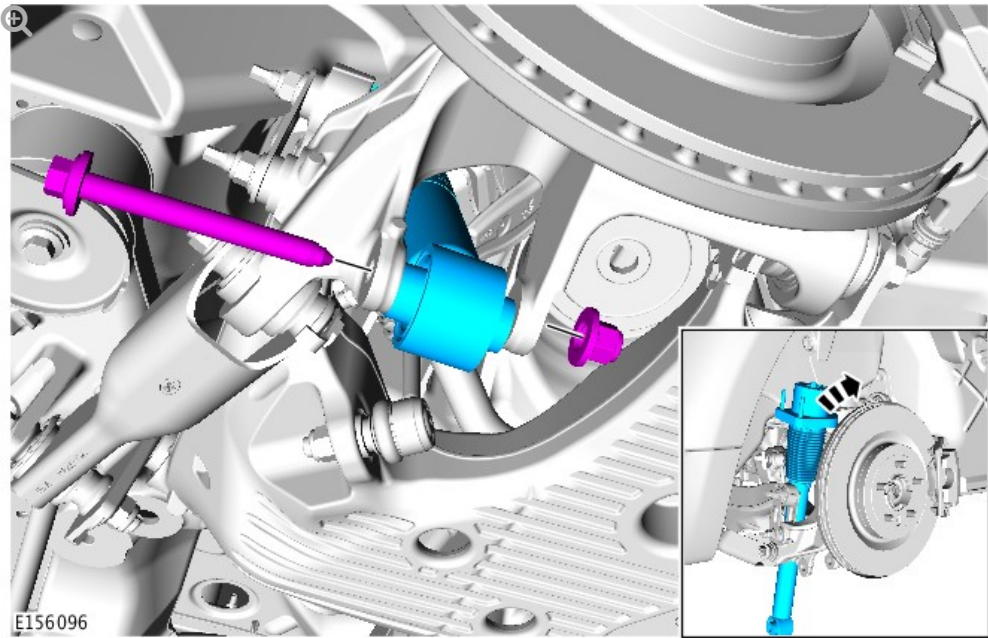
17.

CAUTION:

Discard the nut and bolt.

NOTE:

Note the orientation of the component prior to removal.



18.

NOTE:

Remove and discard the gasket.



NOTE:

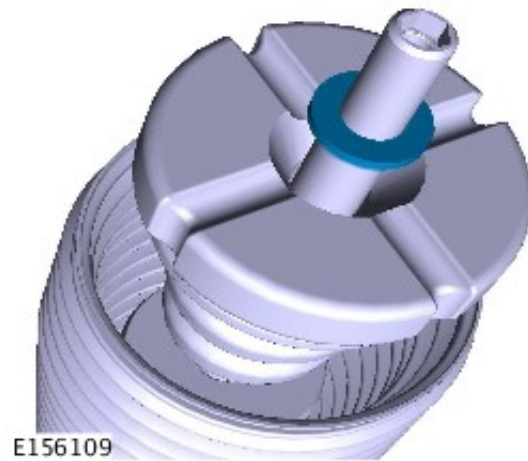
Do not disassemble further if the component is removed for access

only.

19.



20.



NOTE:

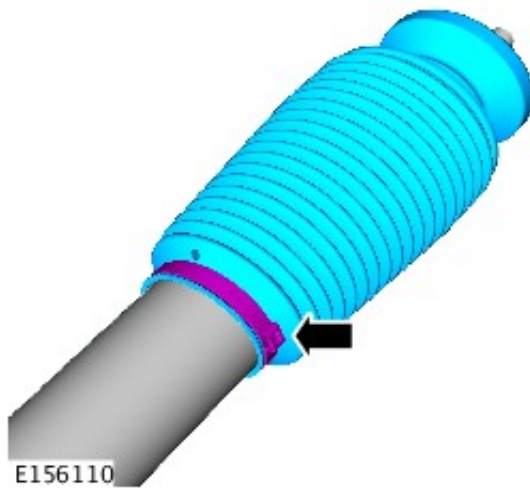
Do not disassemble further if the component is removed for access only.

INSTALLATION

1.

NOTE:

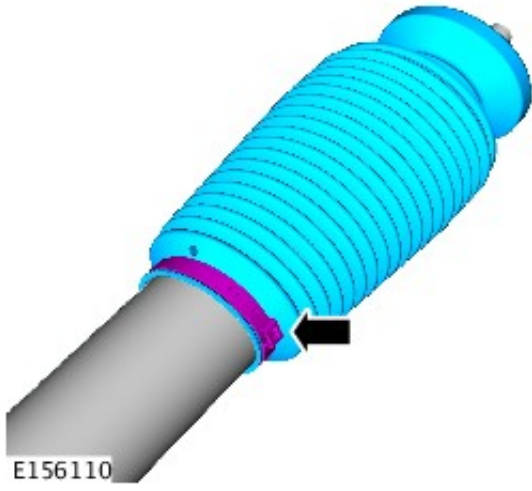
Discard the retaining clip.



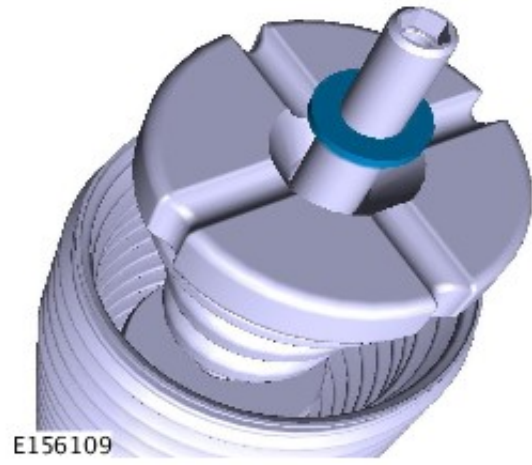
2.

NOTE:

Install a new retaining clip.



3.



4.

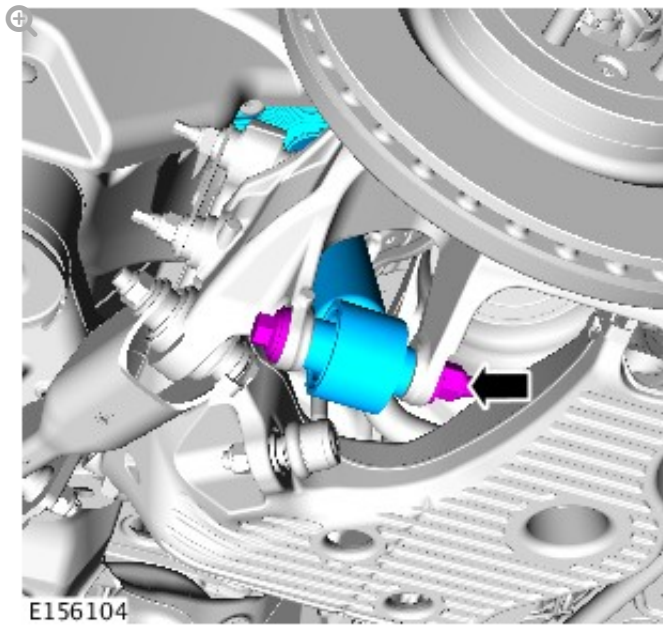


Torque: 32 Nm

5.

NOTES:

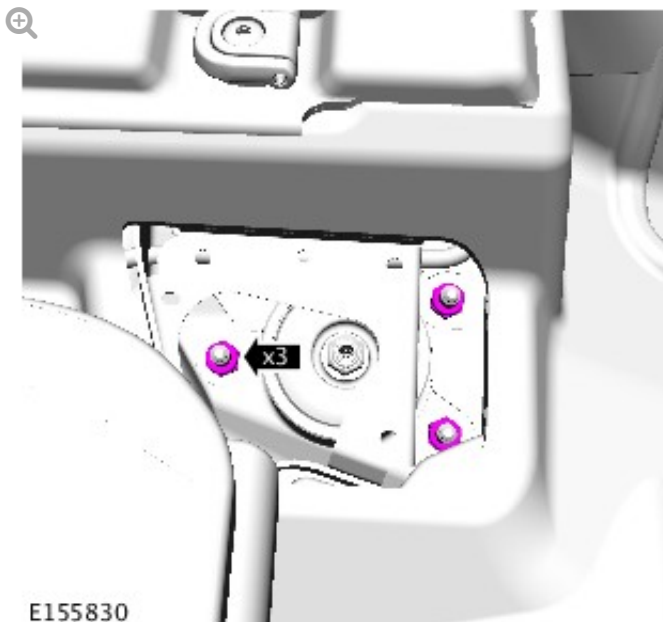
- Make sure that the component is installed to the noted removal position.
- Install a new retaining nut and bolt.
- Do not fully tighten the locking nut at this stage.



6.

CAUTION:

Make sure that new nuts are installed.

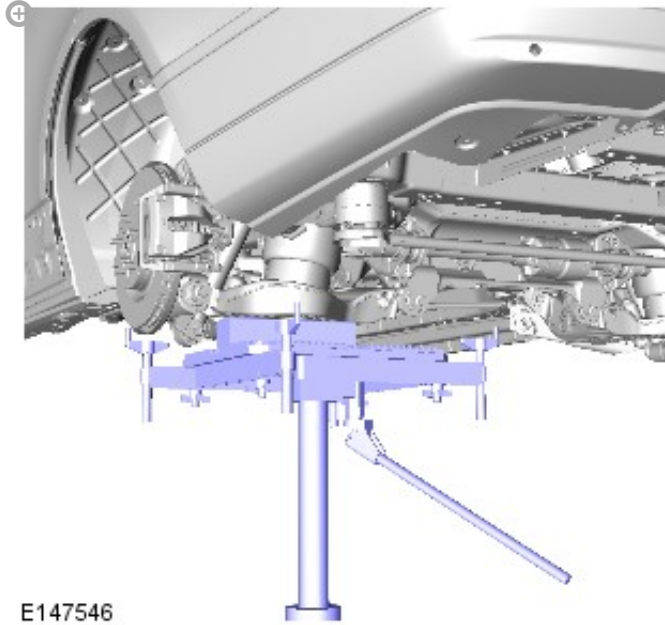


Tighten to 48 Nm.

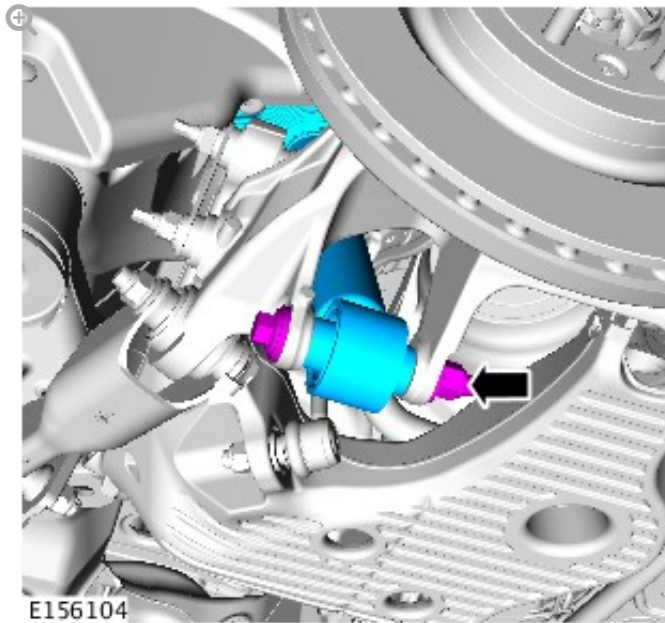
7.

CAUTION:

Nuts and bolts must be tightened with vehicle at normal ride height.



8.

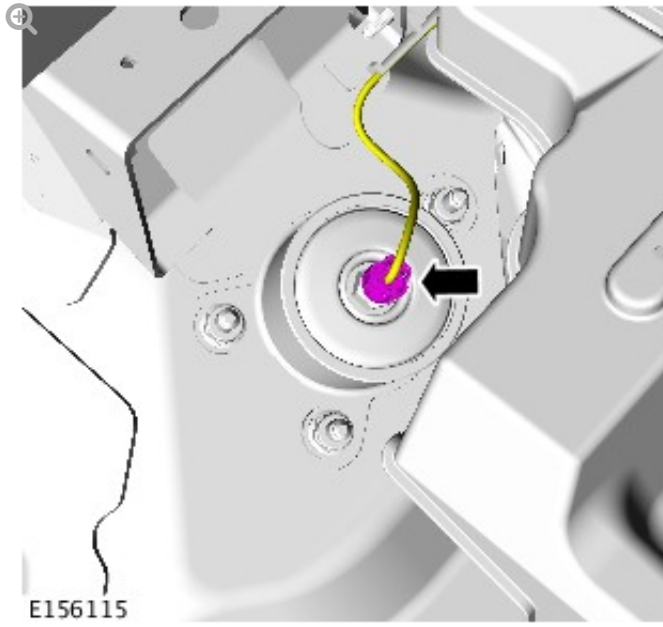


Torque:

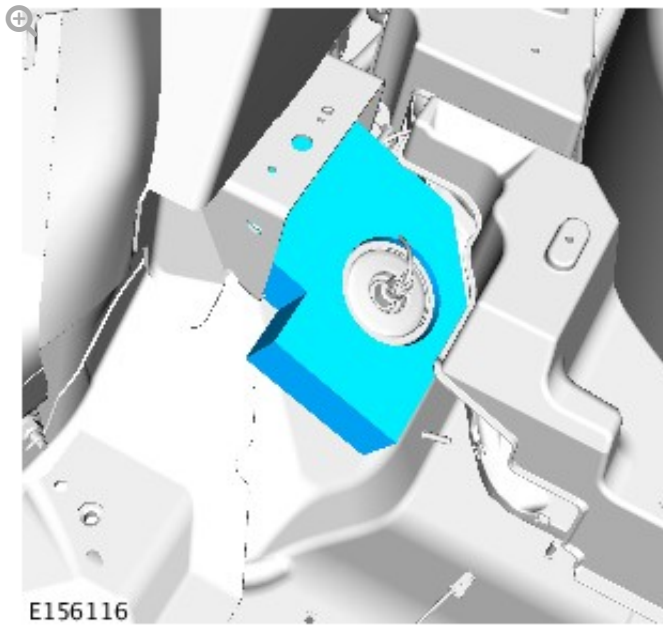
Stage 1: 100 Nm

Stage 2: 240°

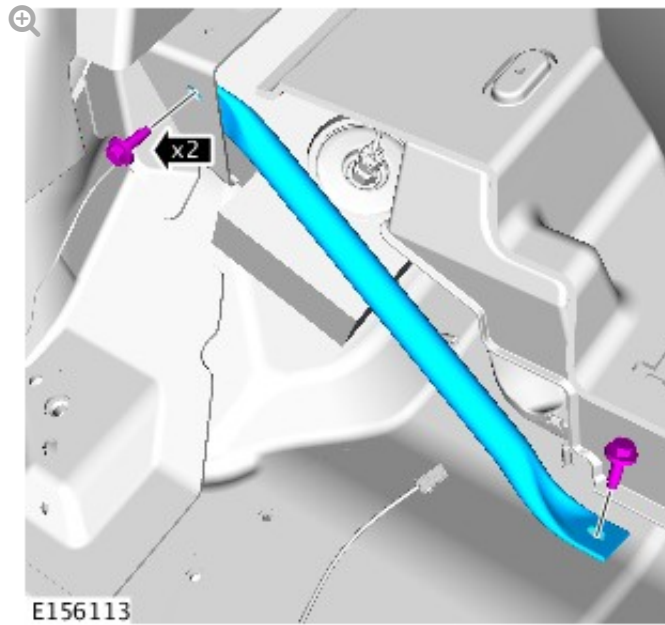
9.



10.

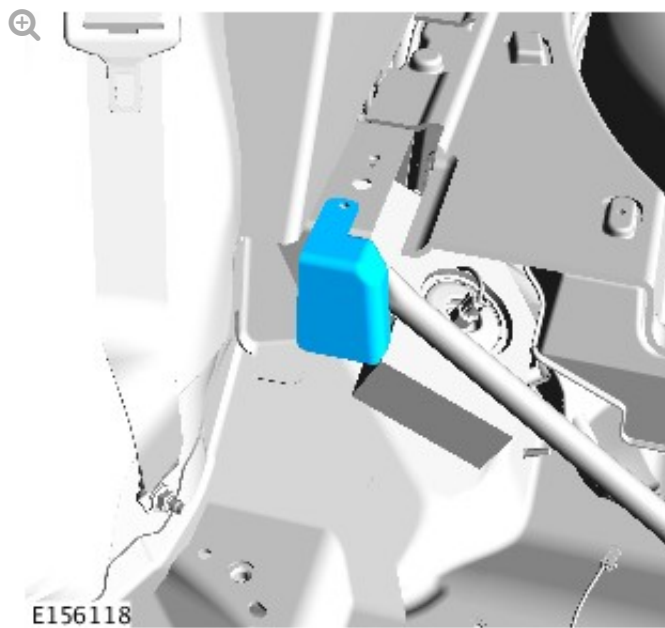


11.

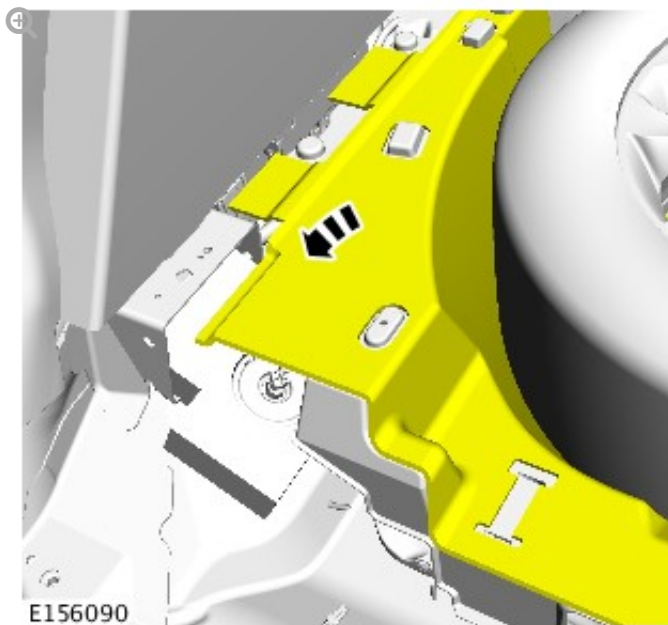


Torque: 25 Nm

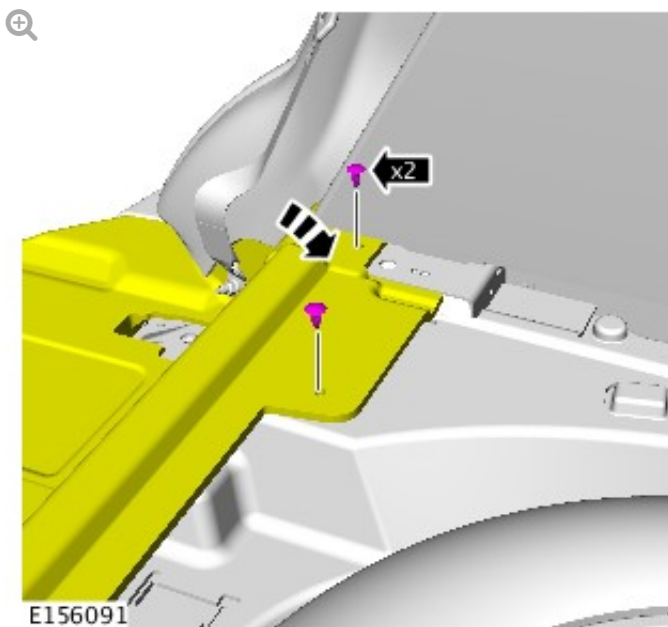
12.



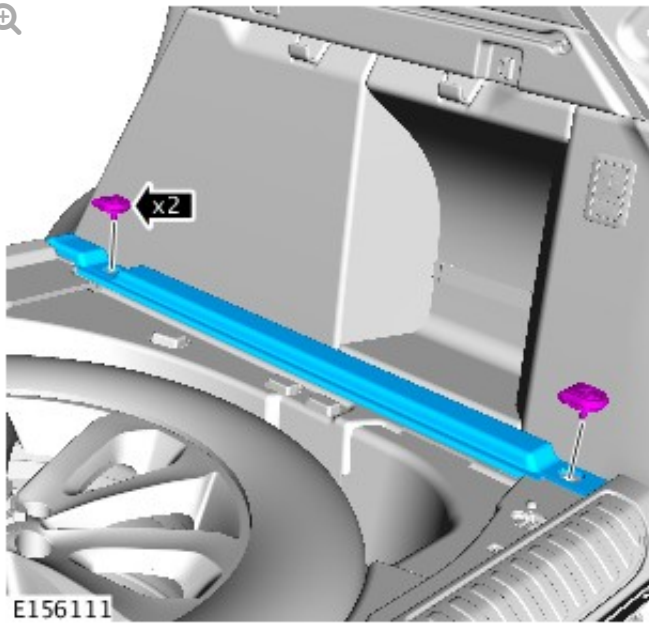
13.



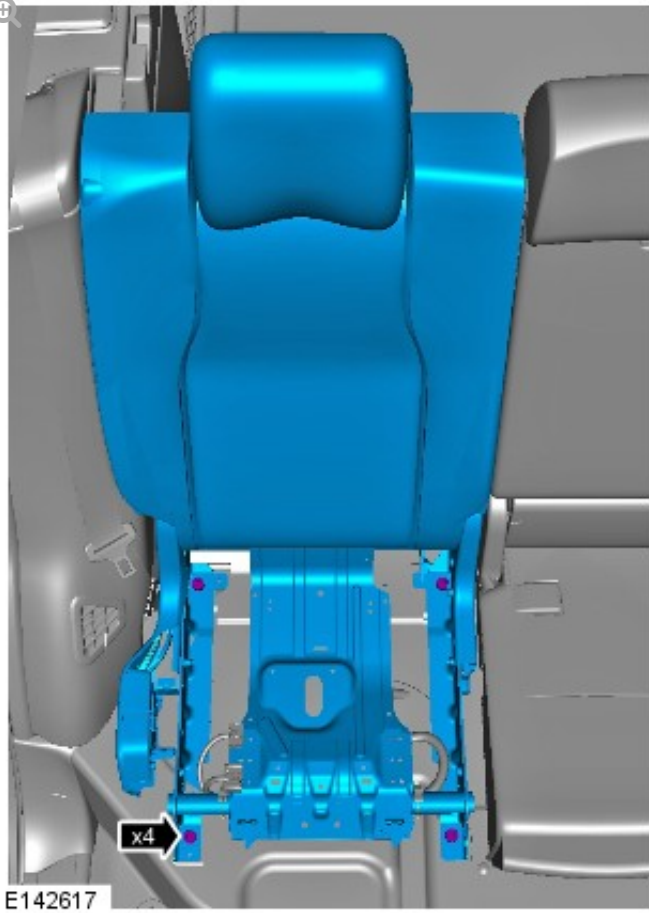
14.



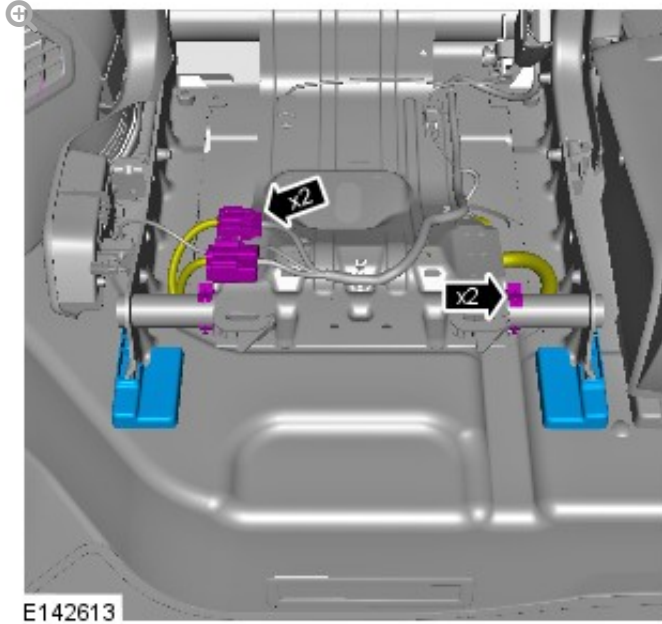
15.



16.

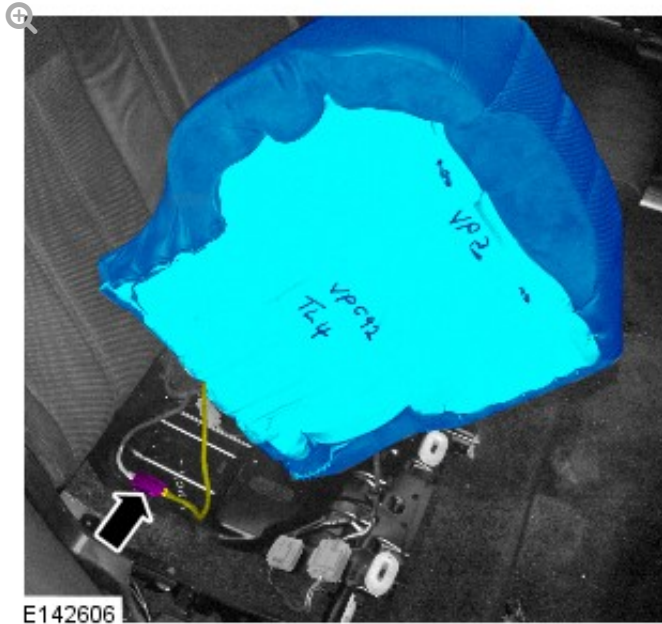


17.



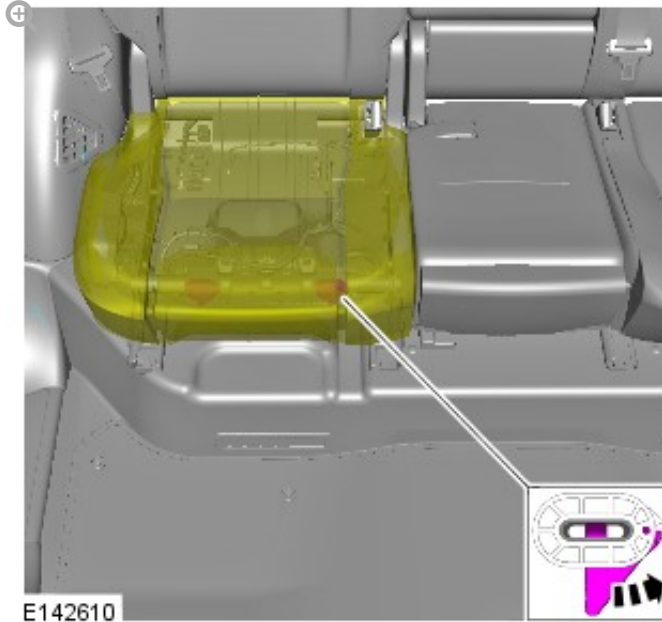
E142613

18.



E142606

19.



20.

CAUTION:

This step must be carried out to prevent damage to the air spring.

Refer to: [Air Suspension - Manual Control Procedure](#) (204-05 Vehicle Dynamic Suspension, General Procedures).

21. Refer to: [Wheel and Tire - GTDi 2.0L Petrol/TDV6 3.0L Diesel /TDV8 4.4L Diesel/V6 S/C 3.0L Petrol /V8 N/A 5.0L Petrol/V8 S/C 5.0L Petrol](#) (204-04 Wheels and Tires, Removal and Installation).

22.

CAUTION:

This step must be carried out in order to maintain the correct compressor/dryer performance.

Using Land Rover approved diagnostic equipment pressurize the rear air spring.

Refer to: [Air Suspension System Depressurize and Pressurize](#) (204-

23.

